

Granvista Plus

2M-pixel Panorama Vandal Dome Camera(Fish-eye)

To realize your expectation of seeing the whole view clearly with one single camera!!!

360-degree-view satisfaction



GVP-281

GVP-281 is a deluxe high resolution (1600x1200) Panorama DOME Camera featured with superior H.264-AVC performance and multiple functions.

This excellent model has been designed as a versatile unit to fulfill users' requirements that it is able to see the whole view of the installation site with one single camera.

GVP-281 supports IEEE802.3af PoE (Power over Ethernet) standard thus it makes the installation even more easier with simply an Ethernet cable form the PoE switch.

GVP-281 is perfect for both indoor and outdoor applications. With a water-proof cap GVP-281 is well protected from rains, ideal for outdoor environments.

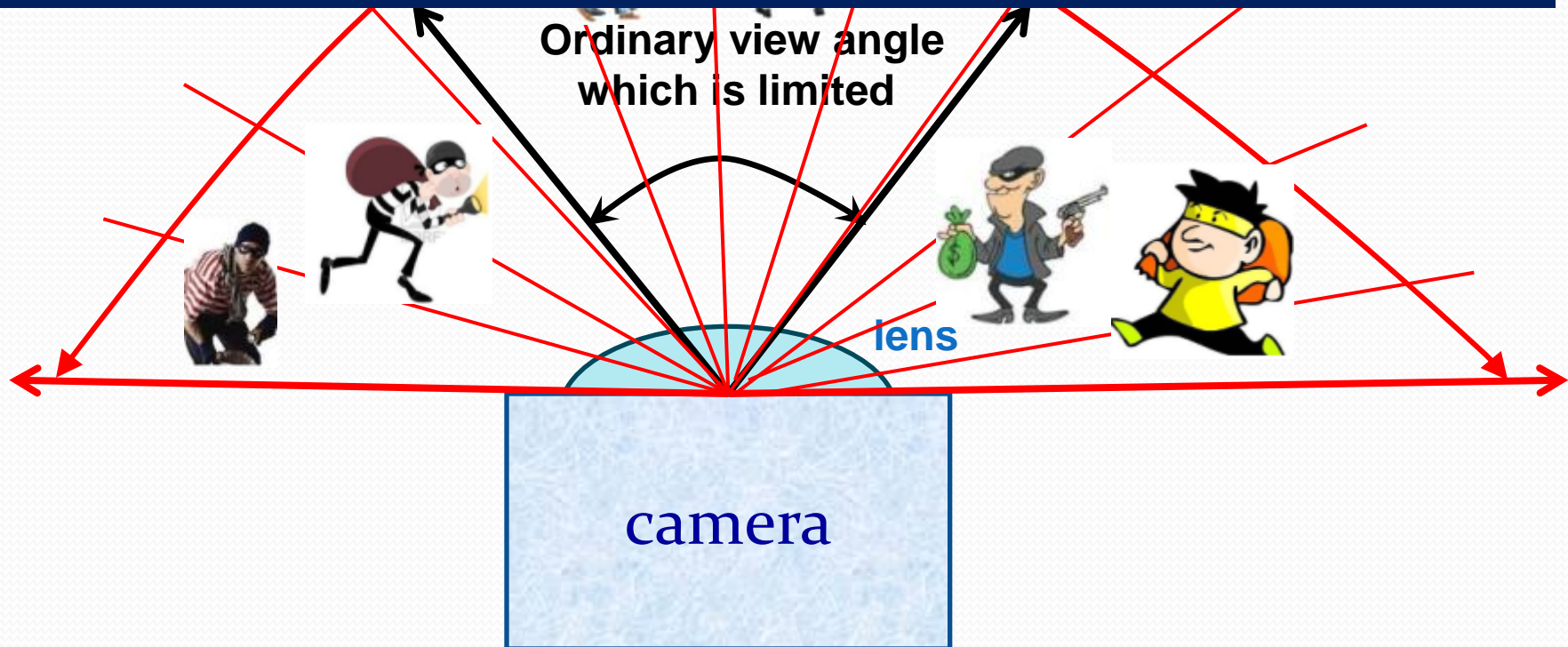
GVP-281's H.264 video compression has significantly lowered down the requirements for bandwidth and storage size without compromising image quality. Motion JPEG and multiple independent video streaming are also supported for even better flexibility.

What's the difference between fish-eye lens and ordinary lens?

180 degrees fish-eye view

Amazingly you may see almost everything in this area as long as they are not behind the camera lens

Not missing any critical clues from any view angle with the GPV-281



Granvista *Plus*

2M-pixel Fish-eye Panorama Dome Camera

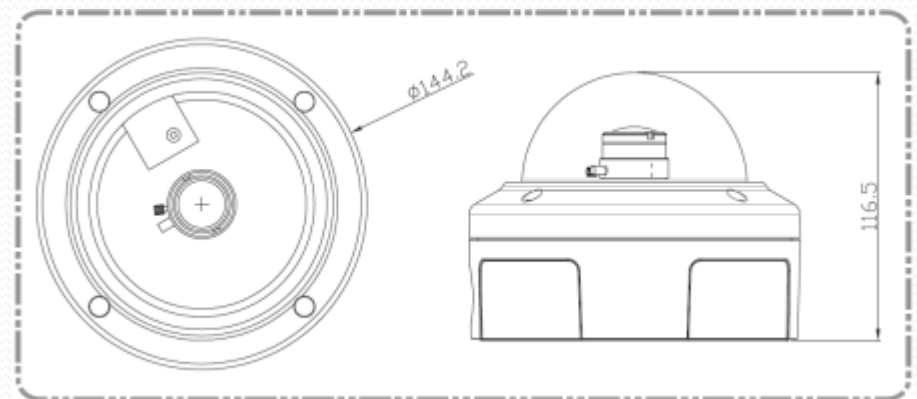
Main Features:

- ◆ 2 Mega CMOS image sensor (1600 x 1200 resolution)
- ◆ Panorama 360 degrees full views
- ◆ Built-in distortion correction with best performance
- ◆ Mechanical ICR (IR-cut filter removable)
- ◆ Two-way audio support
- ◆ Digital input/output for alarm triggering
- ◆ Support PoE (Power over Ethernet)
- ◆ Digital PTZ
- ◆ Allow users to create flexible user interfaces with local languages easily
- ◆ Support Micro SD card (32GB max) for data storage
- ◆ Periodic, motion-detection and hardware input based event triggering
- ◆ Allows real-time monitoring via PC and 3G mobile phone
- ◆ H.264 Multiple Streaming

Specifications of GVP-281

Video Compression	H.264 / Motion JPEG
Video Resolution	1600 x 1200, 800 x 600, 640 x 480
Image Layout	Source image, broad view, double broad view, triple view, quad view
Day / Night function	Mechanic IR-cut
Image Device	Color CMOS Sensor
Adjustment	Brightness, saturation, sharpness, exposure, white balance
Bit Rate	1M ~ 6Mbps (CBR / VBR configurable)
Frame Rate	15FPS @ all resolutions
Lens Type	Mechanical IR-cut filter
Video Control	Controllable frame / bit-rate (bandwidth), VBR / CBR control, Backlight compensation
Event System	Trigger : motion detection Action : file upload via FTP, e-mail and Micro SD card Notification via e-mail
Local Storage	Micro SD card (slot only, card not included) , support SDHC, schedule recording, full over-write
Network Interface	10 BASE-T/100 BASE-TX
PoE	IEEE802.3af
Protocols	HTTP, TCP/IP, IPv4, UDP, SMTP, FTP, DHCP DDNS, NTP, DNS, ARP, RTSP, RTP, UPnP, Samba client
Audio Capability	1x line in, 1x line out
Audio Compression	G.711 u-Law compression
Power Supply	1. PoE 2. 12VDC

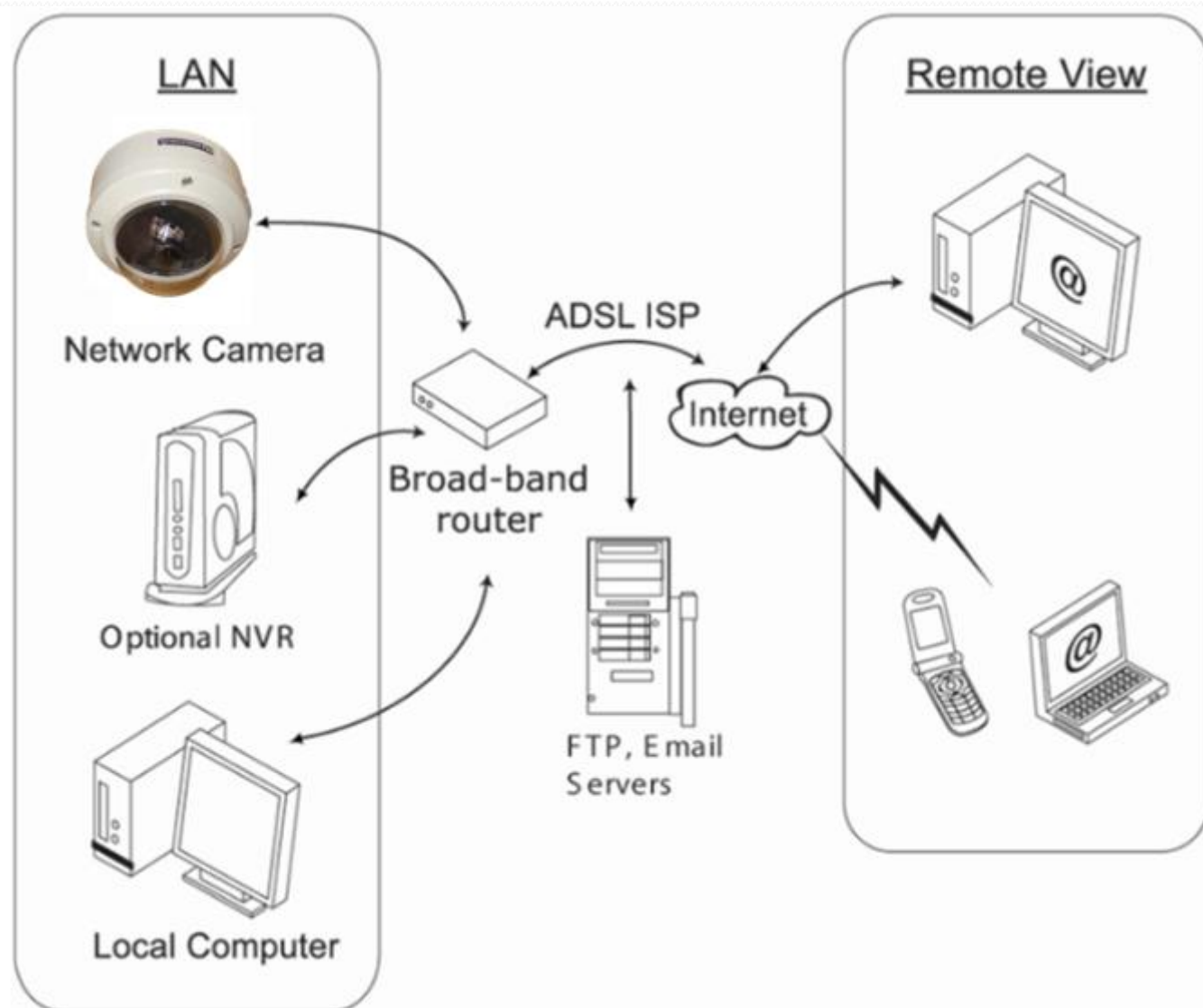
Security	Password protection, User access log
Power Consumption	5W
Operation Temperature	-10°C ~ 50°C
Operation Humidity	20%~80% RH
Browser	IE 7.0 or above, and other known browsers such as Firefox, Google Chrome or Safari
Certification Report	CE/FCC, ROHS, WEEE
I/O Connectors	1x RJ45 10 BASE-T/100 BASE-TX 1x DC jack 1x Audio line-out / 1x audio line-in 1x Micro SD slot 1x I/O Terminal connector, 4x DI/1x DO
Package Contents	1x CD (User's manual and software) 1x Quick Installation Guide 1x Power Adapter (optional) 1x Screw Pack



The above information is subject to upgrades or necessary changes without notice.

Granvista Plus

Network Applications



What the lens actually sees – 360 degrees view

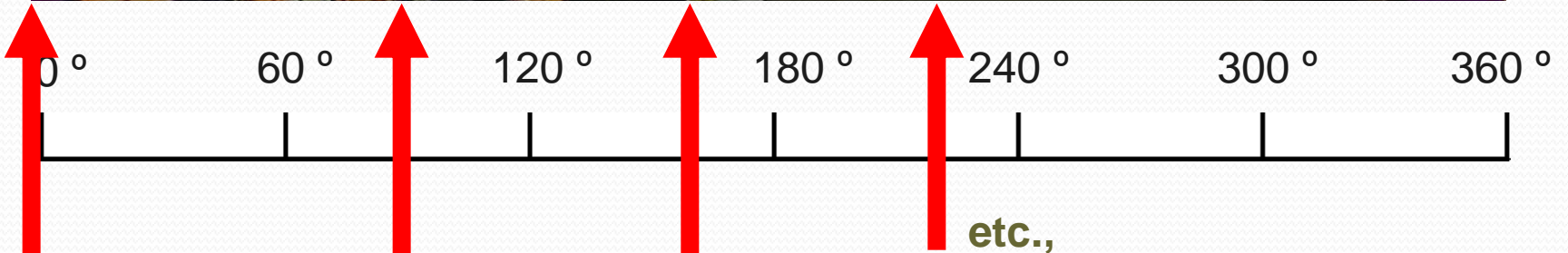




Original view



Double Broad View



You may extend the 360 degree view into the best image for optimal surveillance layout!

You may choose this angel to be the left end of this view

You may choose this angel to be the left end of this view

You may choose this angel to be the left end of this view

Ceiling View mode

for mounting under the ceiling



Good for office applications

Granvista *Plus*

2M-pixel Panorama Dome Camera

Some of the good features need to highlight to you:

✓ In addition to the free-bundled Windows software with NVR functionality and our Linux-based dedicated NVR products for video data storage, the users may also have the video data stored into the Micro SD cards, or the shared disk spaces from the PC disks in LAN.

✓ You should agree that the 1600x1200 clear images can be very helpful too. We firmly believe that the users will also enjoy following good functions.

- **Event photo-image or short video-clip triggering:**

- a. Motion-detection: good for intruder detection, or automatic event logging
- b. Periodic triggering: configurable, can be as frequent as one image per second
- c. hardware input triggering: triggered by signals from other system

- **Where do the triggered photo-images go?**

- a. Directly be saved into the Micro SD card on the slot
- b. Be sent to a designated FTP server for storage
- c. Be sent to the designated Email account

- **Event notification:** An optional Email notification with pre-programmed messages can be sent out immediately to notify the user of the event

✓ As many 3G mobile phones may support Internet access thus the real-time video stream, event photo images and email notifications can be flexibly received timely.

✓ The camera's hi-sensitivity two-way audio functionality is extremely helpful for real-time monitoring and event handling

Granvista Plus

2M-pixel Panorama Network Camera

The free-bundled Windows-based NVR software is able to well-satisfy your basic requirements for video/audio real-time monitoring, recording and data playback already without extra cost for buying other software. Depends on the performance of the PC, up to 36 cameras can be integrated into the system.



Granvista Plus

2M-pixel Panorama Network Camera

The Best-Selling “Camera + Lunux-based SOHO NVR” package for the users' advanced requirements

Up to 6-channel connectivity capacity

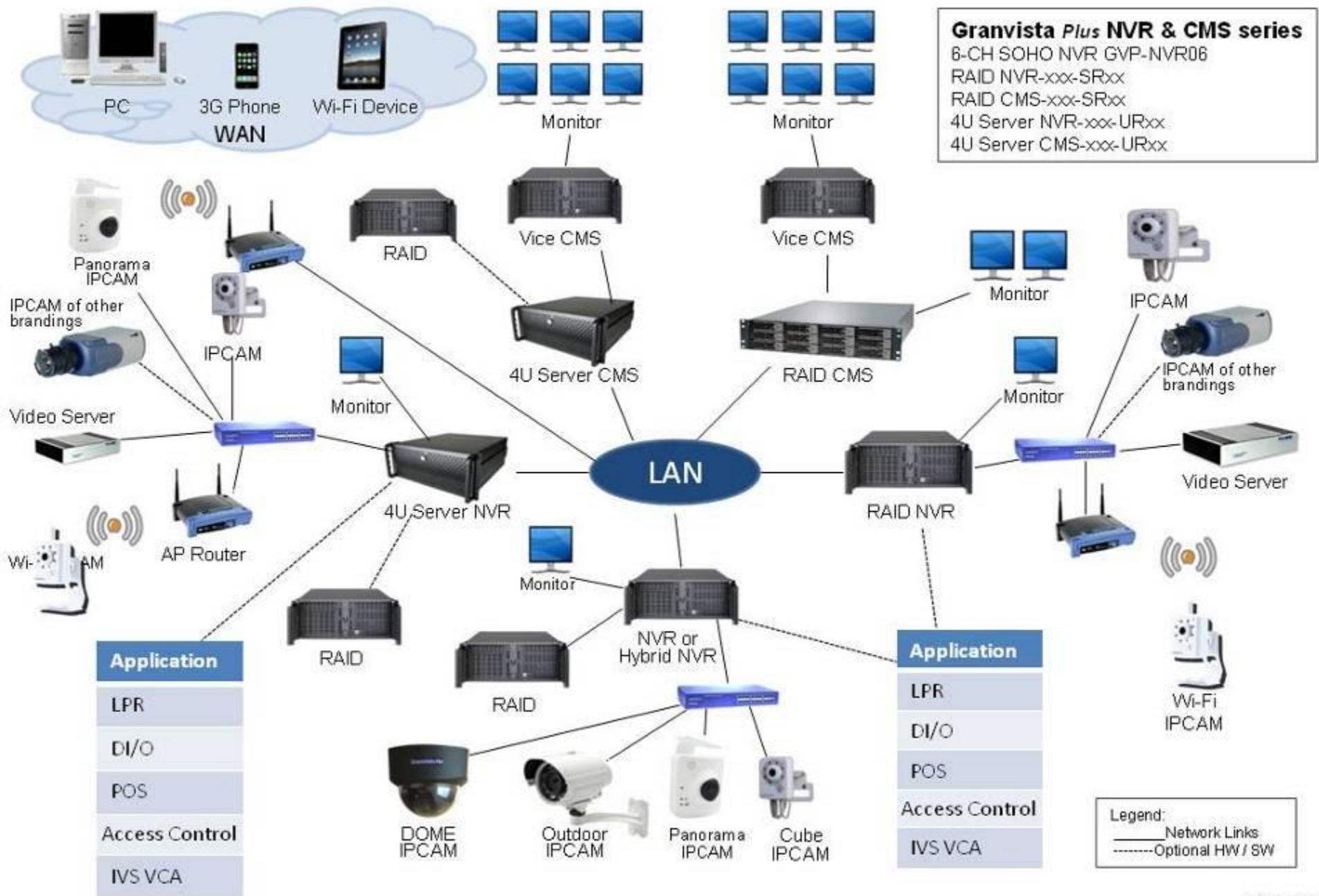


GVP-NVR06



For best pricing competitiveness and SOHO NVR hardware's optimal after-sales services and local warranty, strategically we allow our regional partners to only purchase the firmware which is stored in DOM (disk on module) from us, and to purchase and assembly the hardware locally.

Granvista Plus NVR / CMS Network Structure Diagram



Why Linux?

- The whole Granvista *Plus* series NVR products are of Linux system.
- Not like ordinary Windows platforms, Linux is much safer against virus attacks. The data will be much more secured, and no extra costs for purchasing Anti-virus software.
- Very user-friendly interface designed solely for users' convenience.
- Not like ordinary Windows systems which are loaded from hard disks, the NVR's programs are loaded from Flash DOM (Disk on Module) that they do not have the disadvantages of PC's hard disks which may easily be damaged in case of sudden power interruption.
- Free from all the troublesome product upgrades which Windows OS requires repeatedly against new security issues found.
- Significant save on the cost that no purchase on Windows OS is required.

Some typical misunderstandings need to be clarified

- **Do the users need Internet connections to get the network cameras work?**
 - ✓ The users DO NOT necessarily need Internet connections to make the systems work.
 - ✓ If the users want to access the camera views from remote, or Internet, the users will need Internet connection; otherwise, no need.
 - ✓ The camera can directly connect to PC through the Ethernet ports without the hub or switch too. The PC may connect many cameras if the hub or switch is available.
 - ✓ At the installation sites such as individual houses, retailer stores or offices what the users need are the PCs, network hubs/switches, and the cameras to make the systems work. Even if the Ethernet connection is not available or has been cut off, the cameras still may keep on working to store video or snap-shot images into its Micro-SD card if available.
 - ✓ Although the cameras may work without Internet connection, Internet applications surely are good features for the modern users.
- **Do the users need to pay for other software?**
 - ✓ No, basically the users do not need to spend extra money for additional software, unless they are looking for even more advanced features of specific requirements. .
- **Is NVR a must for video recording?**
 - ✓ No, the users may store the data into the cameras' Micro SD slot (up to 32GB), the folder in local area PC too. NVR is optional for more serious security requirements and advanced features.