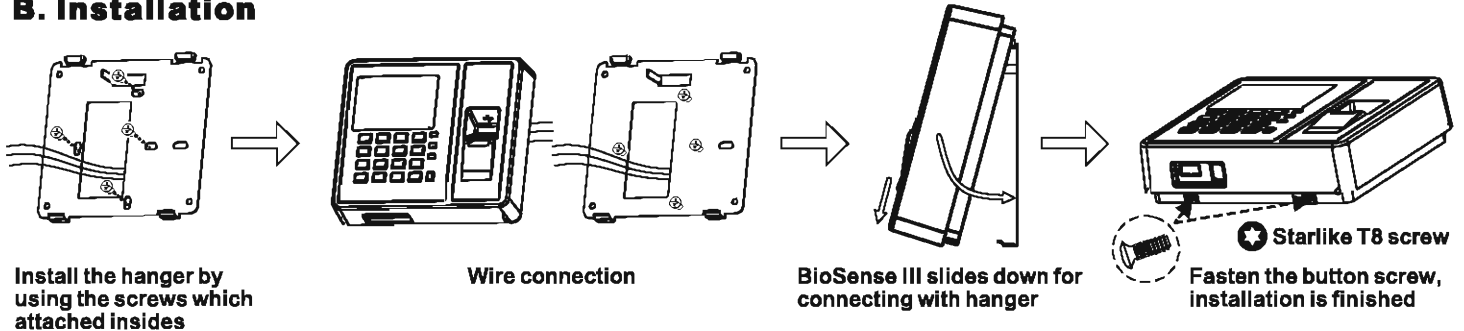


A. Package content

■ Controller x 1, Hanger x 1, Warranty card x 1, User manual x 1, Accessory kit x 1

Accessory kit : Plastic screw x 4, Fastening screw x 4, Starlike screw x 1, Remove device tool x 1
1N4004 x 1, 9 Pin cable x 1, 8 Pin x 1, 3Pin x 1, 2 Pin x 1

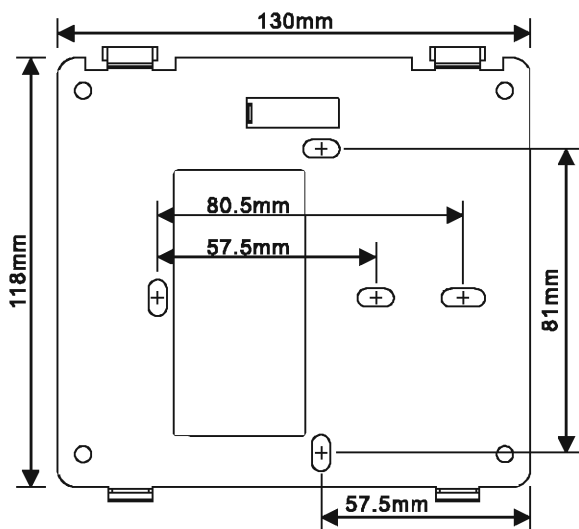
B. Installation



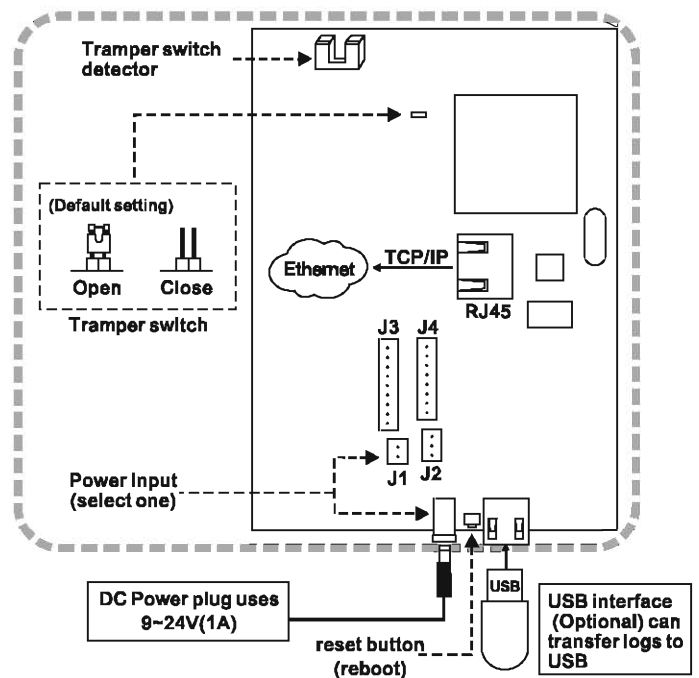
C. Specification

- Dimension: 160 X 140 X 41.6 (mm)
- Recommended: RS-485 please use RVSP shielded twisted pair cable
- Specifications:
 - Voltage range: 9-24VDC
 - Current Max.: 1A
 - Max distance for Wiegand is 80M
 - Max distance for RS-485 is 1000M

■ Controller Back cover size



D. Controller backside introduction

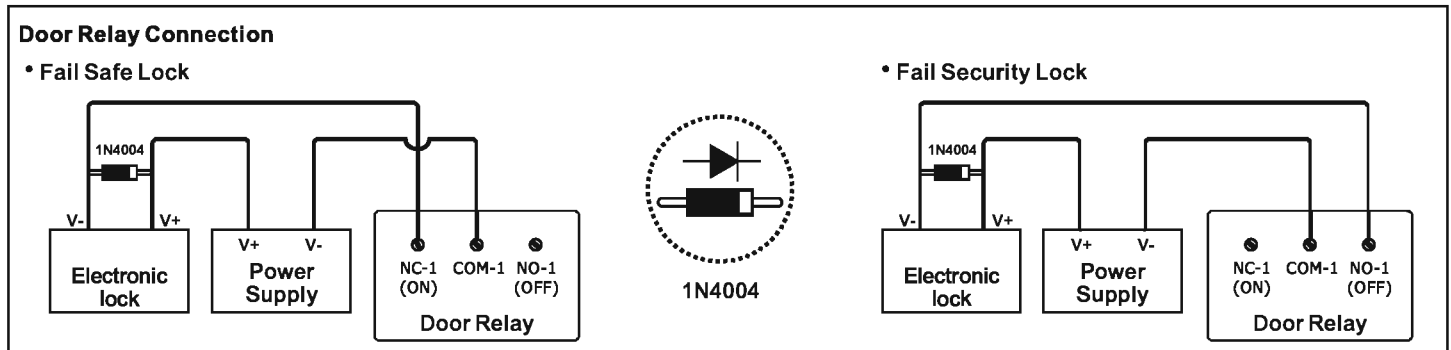
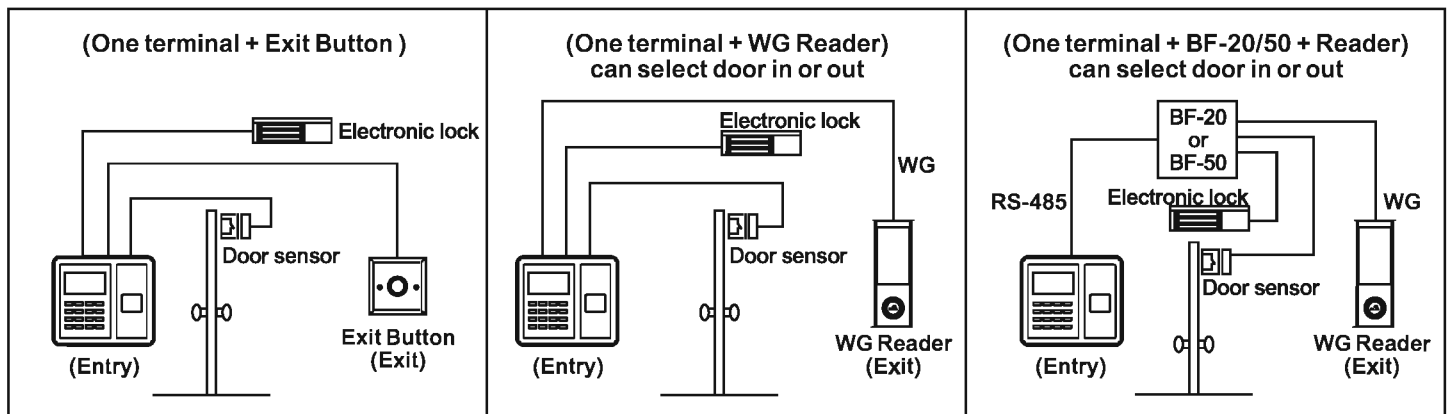


E. Enter administrator mode thru hardware :

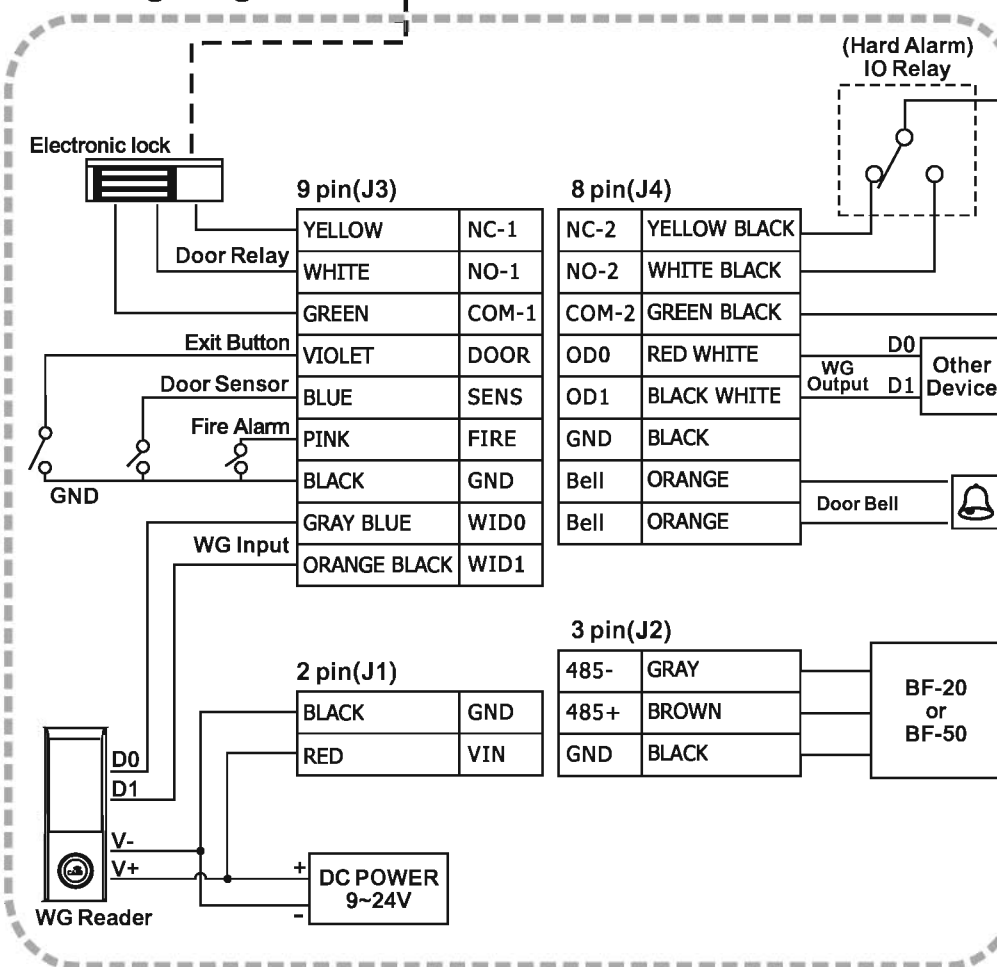
Steps as below shows:

1. Click "F1" twice, you will enter to setup page. Press "#" after enter the administrator password (default is 111111).
2. Yes → # , No → *
3. Add new user → Press 1 (user setting) → Press 1 for adding new user → Single or Continuous → Verify card or enter ID (Card number is 10 digits, if you do not use card, please enter employee or user ID) → Press # → Press # before register fingerprint → use the same step to register another fingerprint → Register password (if no need for password, please press *) → only register user, please press #. (LCD will back the setup page)
4. Delete User: enter to setup page, press 1 (user setting) → press 2 delete user(enter his card number), then press # to delete the user.
5. Enter IP: enter to setup page, press 2 (system setting) → press 4 and then enter IP → press # → enter subnet → press # and enter gateway → press # and system will reboot.
6. Setting time: enter to setup page, press 2 (system setting) → press 1 to set time → enter YY/MM/DD. (For example: 2010 /6/30, you have to enter 100630) → enter week and press #.

F. Structure



G. Wiring Diagram



H. Wires Description

9 pin(J3)		
NC-1	YELLOW	Door Relay
NO-1	WHITE	
COM-1	GREEN	
DOOR	VIOLET	Exit Button
SENS	BLUE	Door Sensor
FIRE	PINK	Fire Alarm
GND	BLACK	GND
WID0	GRAY BLUE	WG Input
WID1	ORANGE BLACK	

8 pin(J4)		
NC-2	YELLOW BLACK	IO Relay (Hard Alarm)
NO-2	WHITE BLACK	
COM-2	GREEN BLACK	
OD0	RED WHITE	WG Output
OD1	BLACK WHITE	
GND	BLACK	GND
Bell	ORANGE	Door Bell
Bell	ORANGE	

3 pin(J2)		
485-	GRAY	RS-485 Contacts for BF-20 & BF-50
485+	BROWN	
GND	BLACK	

2 pin(J1)		
GND	BLACK	Power Contacts DC 9~24V(1A)
VIN	RED	

NOTICES

1. Door sensor detection function should be enabled from Web ◦
(Door setup→Door Properties→Door Sensor Mode→Normal)
2. For WG connection GND of WG device and terminal should be shorted ◦