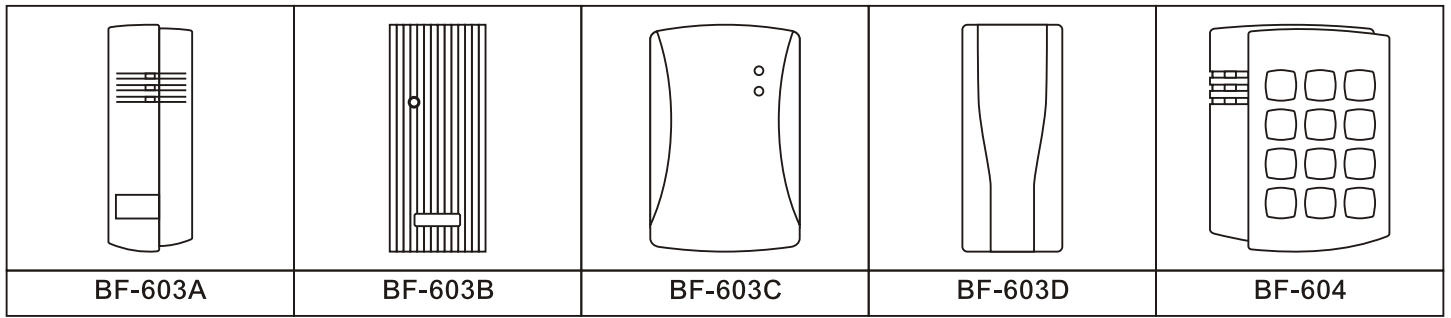


RFID Reader

V1.0-1
Installation Cable color ver. 1



A. Package Content

Reader x 1, Installation manual x 1, Accessory kit x 1

B. Installation

1. Open the back cover of reader.
2. Please use the attached screws to fix the back cover to the position.
3. Pass the cable through the central circle hole of back cover.
4. Combine the body

● Specification

Voltage Range: 12V DC
Max current: 500mA
Distance for Wiegand communication: 80M

● Recommend

Shielded cable & linear DC power supply

● Notice

Do not connect other cable to power except the power cable.
Do not apply any unverified power supply to the unit, otherwise it may cause system unstable and hardware damaged.

C. Connection

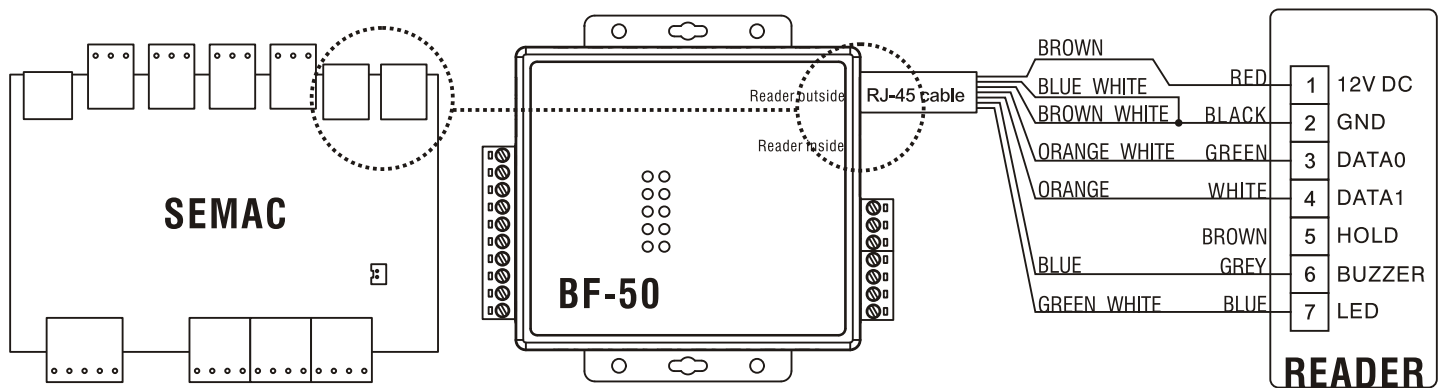
● BF-50, SEMAC RJ-45 cable and Wiegand reader wire connection

1	ORANGE WHITE	D0, WG input 0
2	ORANGE	D1, WG input 1
3	GREEN WHITE	LED control contact
4	BLUE	Buzzer control contact
5	BLUE WHITE	Reader sensing control (Must short GND)
6	GREEN	Reserved
7	BROWN WHITE	POWER-
8	BROWN	POWER+

DC 9-24V

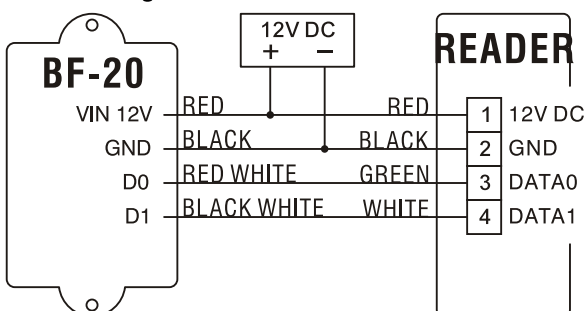
● WG34 RFID Reader Cable color

1	RED	12V DC
2	BLACK	GND
3	GREEN	DATA0
4	WHITE	DATA1
5	BROWN	HOLD
6	GREY	Buzzer control contact
7	BLUE	LED control contact

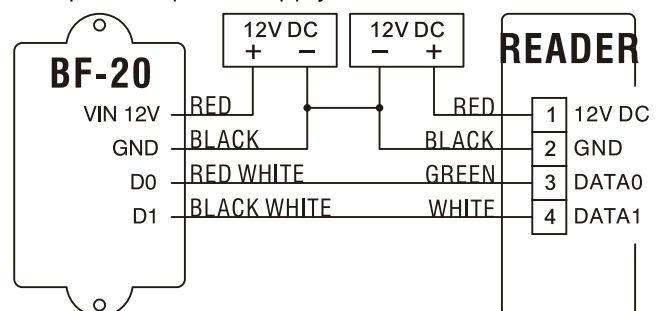


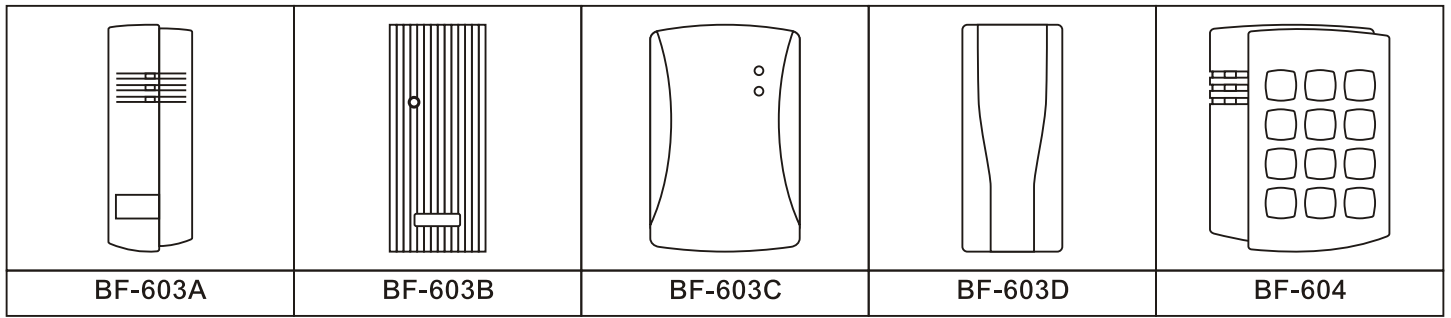
● BF-20 & WG 34 RFID reader Connection

1. Sharing Power



2. Independent power supply





A. Package Content

Reader x 1, Installation manual x 1, Accessory kit x 1

B. Installation

1. Open the back cover of reader.
2. Please use the attached screws to fix the back cover to the position.
3. Pass the cable through the central circle hole of back cover.
4. Combine the body

● Specification

Voltage Range: 12V DC
Max current: 500mA
Distance for Wiegand communication: 80M

● Recommend

Shielded cable & linear DC power supply

● Notice

Do not connect other cable to power except the power cable.
Do not apply any unverified power supply to the unit, otherwise it may cause system unstable and hardware damaged.

C. Connection

● BF-50, SEMAC RJ-45 cable and Wiegand reader wire connection

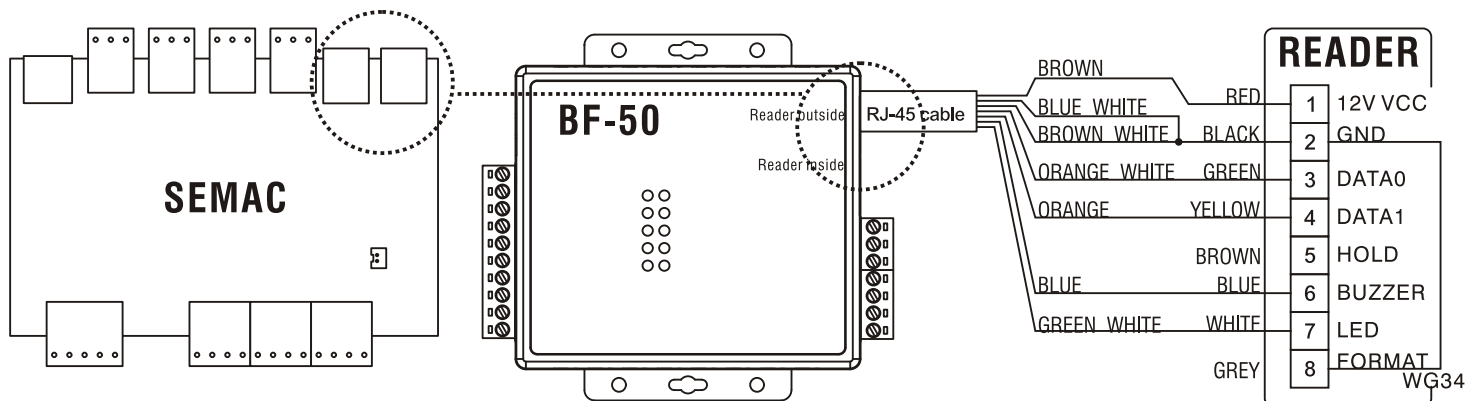
1	ORANGE WHITE	D0, WG input 0	
2	ORANGE	D1, WG input 1	
3	GREEN WHITE	LED control contact	
4	BLUE	Buzzer control contact	
5	BLUE WHITE	Reader sensing control (Must short GND)	
6	GREEN	Reserved	
7	BROWN WHITE	POWER-	DC 9-24V
8	BROWN	POWER+	

● RFID Reader Cable color

1	RED	12V VCC
2	BLACK	GND
3	GREEN	DATA0
4	YELLOW	DATA1
5	BROWN	HOLD
6	BLUE	Buzzer control contact
7	WHITE	LED control contact
8	GREY	FORMAT (WG34/26 SETTING)

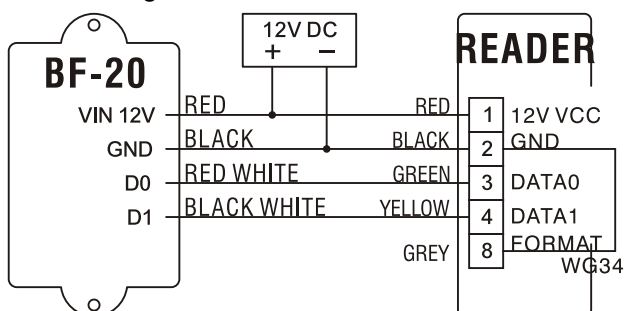
WG 34: Grey and Black must be short

WG 26: Grey and Black no need to be short

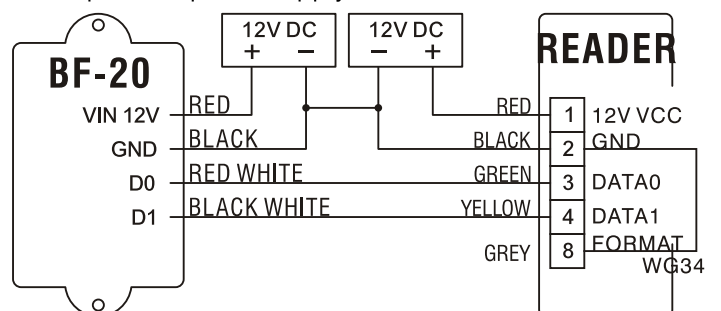


● BF-20 & WG 34 RFID reader Connection

1. Sharing Power

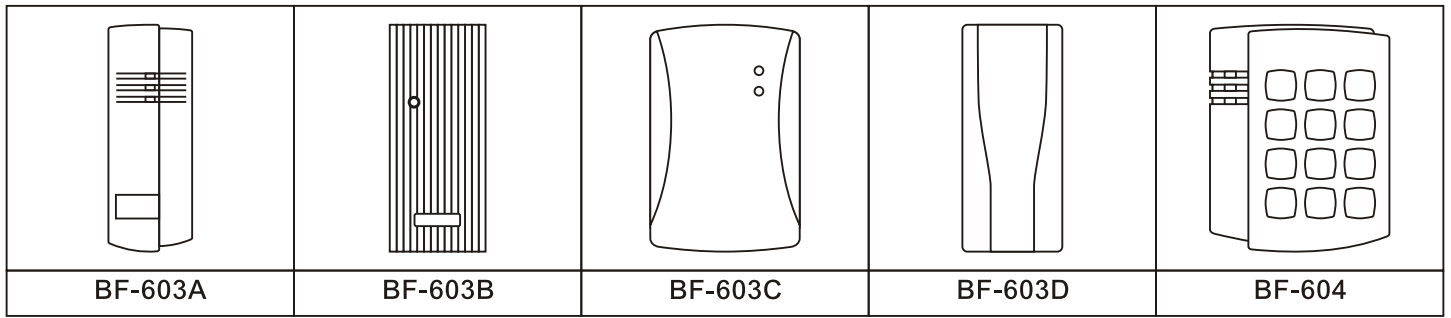


2. Independent power supply



RFID Reader

V1.0-3
Installation Cable color ver. 3



A. Package Content

Reader x 1, Installation manual x 1, Accessory kit x 1

B. Installation

1. Open the back cover of reader.
2. Please use the attached screws to fix the back cover to the position.
3. Pass the cable through the central circle hole of back cover.
4. Combine the body

C. Connection

● BF-50, SEMAC RJ-45 cable and Wiegand reader wire connection

1	ORANGE WHITE	D0, WG input 0	
2	ORANGE	D1, WG input 1	
3	GREEN WHITE	LED control contact	
4	BLUE	Buzzer control contact	
5	BLUE WHITE	Reader sensing control (Must short GND)	
6	GREEN	Reserved	
7	BROWN WHITE	POWER-	DC 9-24V
8	BROWN	POWER+	

● Specification

Voltage Range: 12V DC
Max current: 500mA
Distance for Wiegand communication: 80M

● Recommend

Shielded cable & linear DC power supply

● Notice

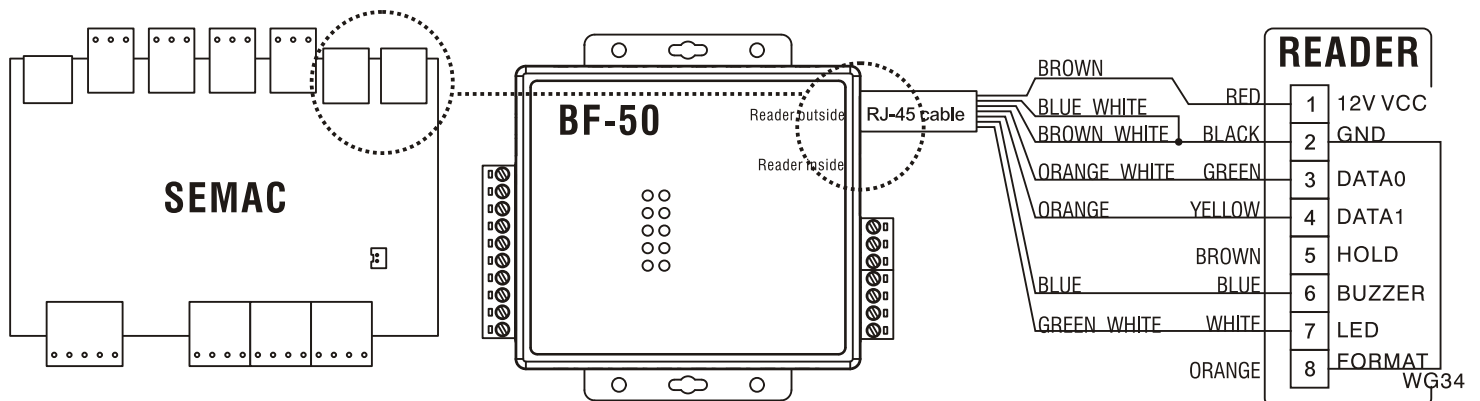
Do not connect other cable to power except the power cable.
Do not apply any unverified power supply to the unit, otherwise it may cause system unstable and hardware damaged.

● RFID Reader Cable color

1	RED	12V VCC
2	BLACK	GND
3	GREEN	DATA0
4	YELLOW	DATA1
5	BROWN	HOLD
6	BLUE	Buzzer control contact
7	WHITE	LED control contact
8	ORANGE	FORMAT(WG34/26 SETTING)

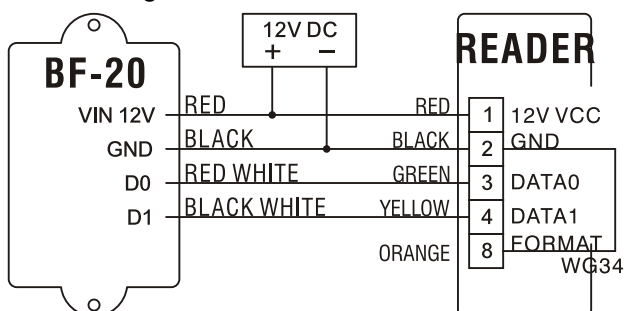
WG 34: Orange and black must be short

WG 26: Orange and Black no need to be short

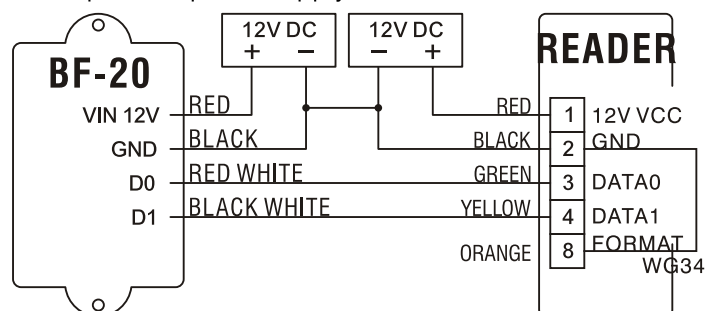


● BF-20 & WG 34 RFID reader Connection

1. Sharing Power



2. Independent power supply



RFID Reader

V1.0-4
Installation Cable color ver. 4

A. Package Content

Reader x 1, Installation manual x 1, Accessory kit x 1

B. Installation

1. Open the back cover of reader.
2. Please use the attached screws to fix the back cover to the position.
3. Pass the cable through the central circle hole of back cover.
4. Combine the body

● Specification

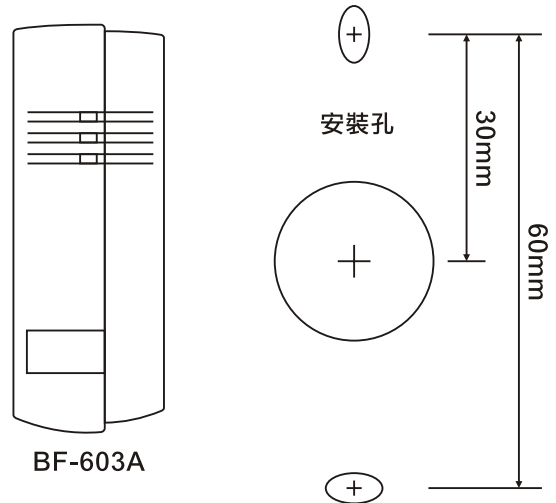
Voltage Range: 12V DC
Max current: 500mA
Distance for Wiegand communication: 80M

● Recommend

Shielded cable & linear DC power supply

● Notice

Do not connect other cable to power except the power cable.
Do not apply any unverified power supply to the unit, otherwise it may cause system unstable and hardware damaged.



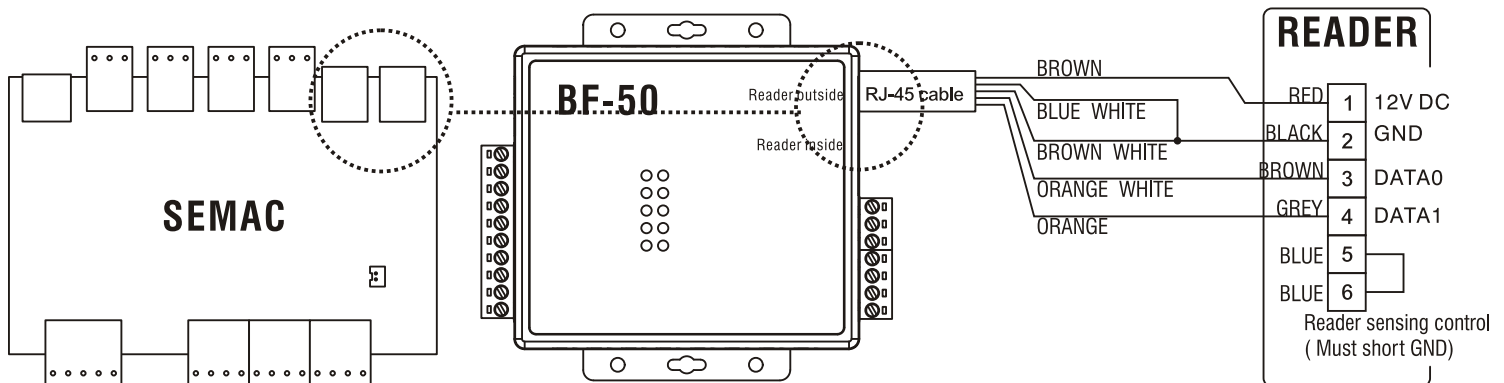
C. Connection

● BF-50, SEMAC RJ-45 cable and Wiegand reader wire connection

1	ORANGE WHITE	D0, WG input 0	
2	ORANGE	D1, WG input 1	
3	GREEN WHITE	LED control contact	
4	BLUE	Buzzer control contact	
5	BLUE WHITE	Reader sensing control (Must short GND)	
6	GREEN	Reserved	
7	BROWN WHITE	POWER-	DC 9-24V
8	BROWN	POWER+	

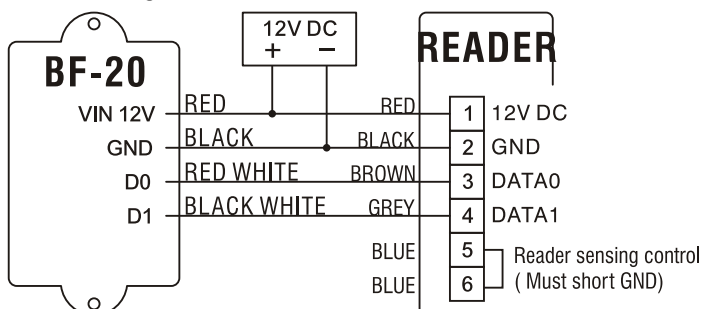
● WG34 RFID Reader Cable color

1	RED	12V DC	
2	BLACK	GND	
3	BROWN	DATA0	
4	GREY	DATA1	
5	BLUE	Reader sensing control (Must short GND)	EM version, does not provide such line color
6	BLUE		



● BF-20 & WG 34 RFID reader Connection

1. Sharing Power



2. Independent power supply

