



Access Control

WebPass IP Reader & WebPass LITE



Access control solution over Serial & TCP/IP

- IP65 Rating Weather Proof suitable for outdoor
- Multiple card types support (EM/Mifare standard, OEM/ODM welcome)
- Cost-Effective solution from single-door to multi-door architecture
- Flexible TCP/IP or RS485 solution provide easy the wiring plan

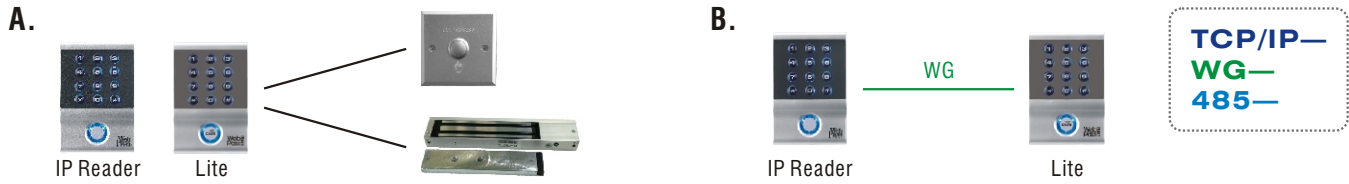
Specifications

- Built-In dry contact and I/O for input & output devices
- Operation Temperature : 0 ~ 70 °C
- Operation Humidity : 30% ~ 90%
- Power requirement : 9 ~ 24VDC/1A
- Dimension : 120 X 80 X 25 (mm) / 150g
- WebPass-Lite (RS485 & WIEGAND)
 - Cardholder capacity: 1,500 users
 - Log entry capacity : 1,500 entries
 - Standalone (RS485) or Reader mode (WIEGAND) support
- WebPass IP Reader (TCP/IP&WIEGAND)
 - Cardholder capacity: 20,000 users
 - Log entry capacity : 60,000 entries
 - WEB Based and Software (SoMAC) management
 - APB/Anti-Duress supported
 - 255 Time Set/120 Time Zone
 - 255 Groups/ 100 Holiday configurable
 - Alarm Alert to Email

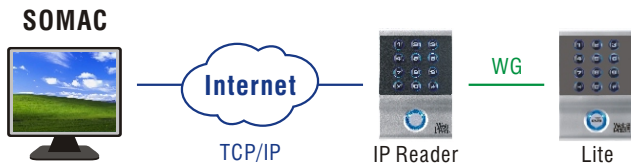
Distributor Wanted / OEM, ODM Welcome
CE/FCC/RoHS Compliance ISO 9001:2008 Certified

Application

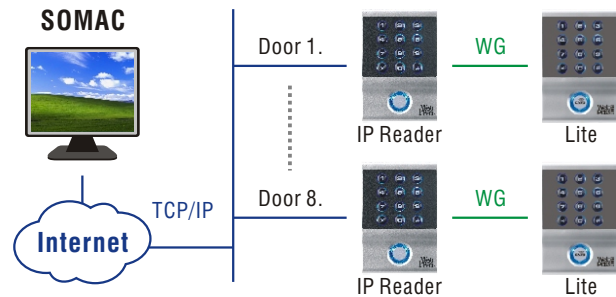
1. Standalone solution :



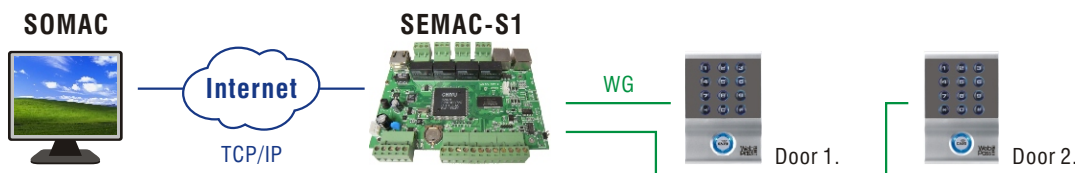
2. Single-door TCP/IP solution :



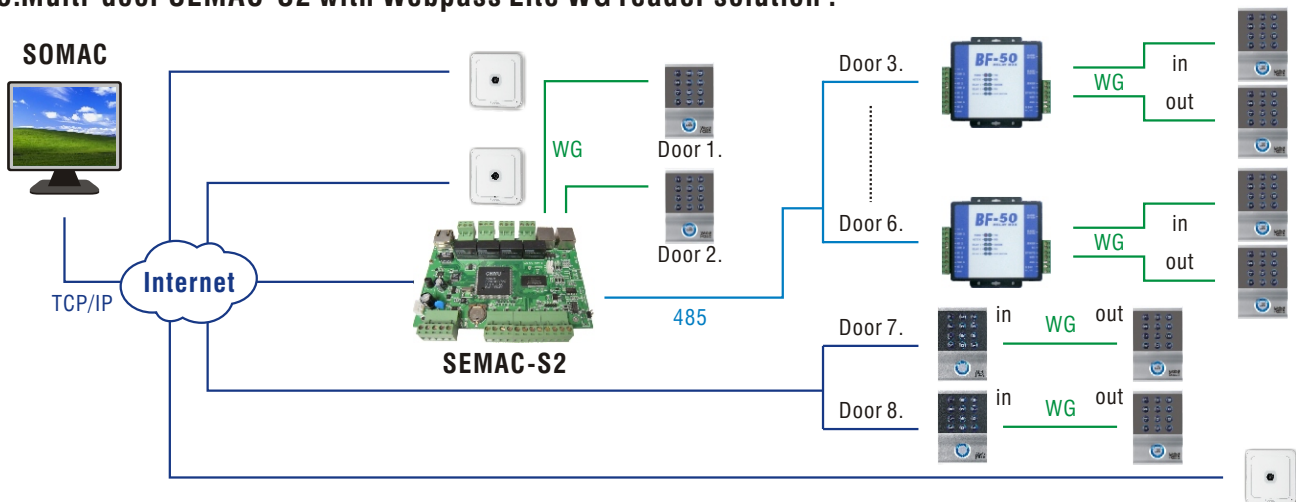
3. Multi-door TCP/IP solution :



4. Single-door SEMAC-S1 with Webpass Lite WG reader solution :



5. Multi-door SEMAC-S2 with Webpass Lite WG reader solution :



How to Order

Model	Type	Access control
WEBPASS	IP Reader: RJ45 (TCP/IP)	Standalone/Single door/ Multi-door
	Lite: Rs485 (Serial) or WG Reader	<ul style="list-style-type: none"> • Standalone only (RS485 type) • Can be a WG reader for WEBPASS IP Reader/SEMAC system architectures

Welcome to **CHIYU**