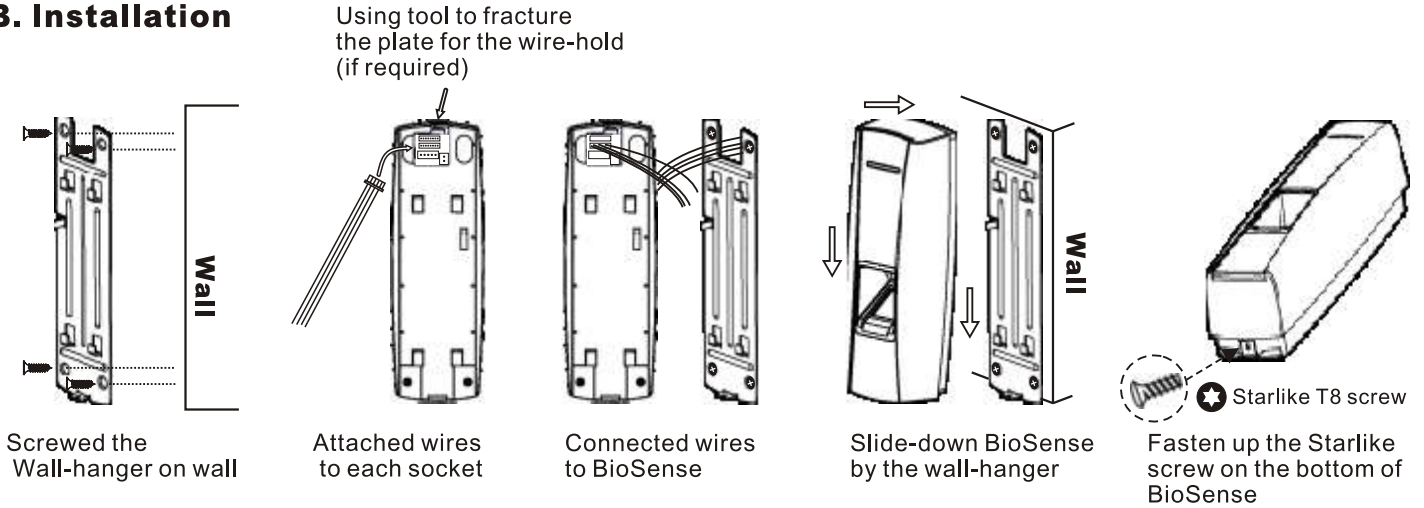


### A. BioSense package contents

■ BioSense x1, Wall-hanger x1, Installation guide x1, L-shape screw driver x1, Accessories kit x1

Accessory kit : including Wall plug x4, Fasten screw x4, 1N4004 x 1  
8-Pin wire x1, 9-Pin wire x1, 2-Pin wire x1, RJ-45 cable x1

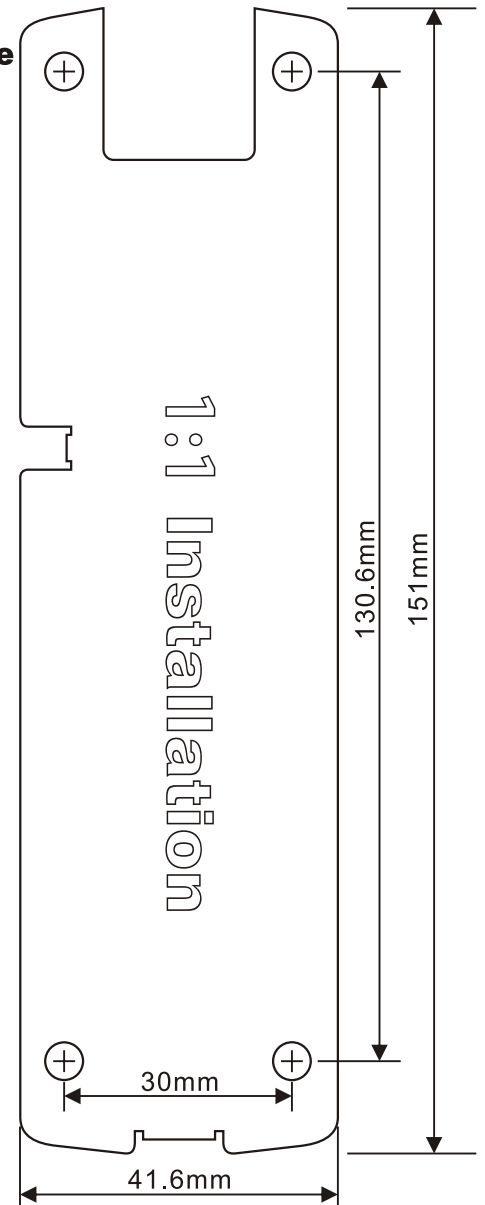
### B. Installation



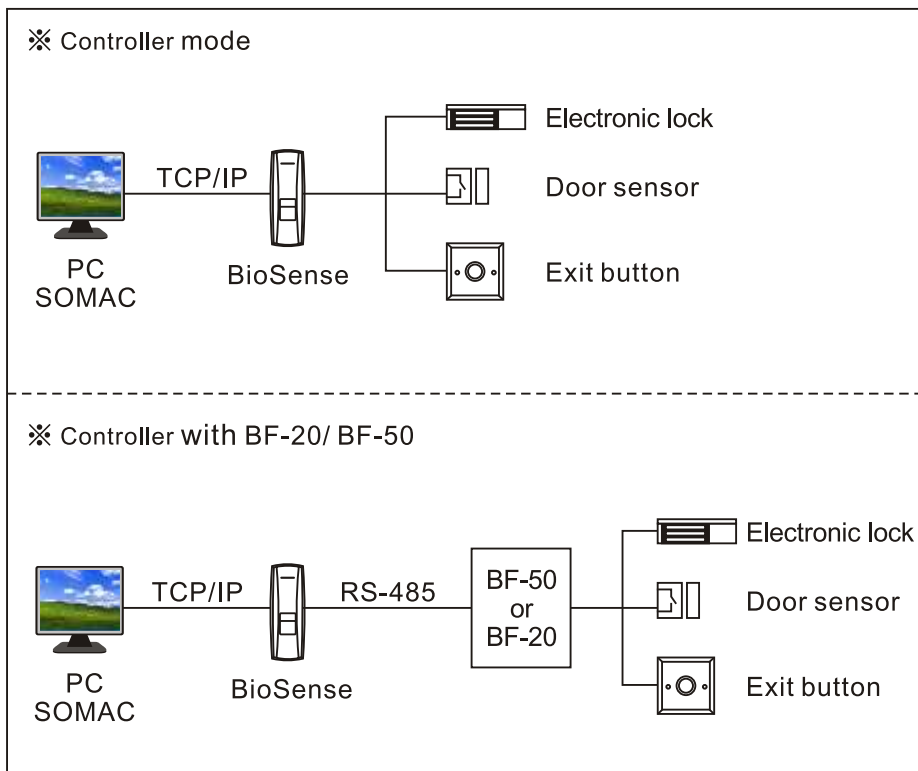
### C. Specifications

- Dimension : 160 x 56.9 x 40.1(mm)
- Wire : RVSP type is recommended for RS-485
- Power consumption and current : DC 12V/ 1A
- Wiegand communication : up to 80 meters
- RS-485 communication : up to 1000 meters
- RJ-45 communication : up to 100 meters

### D. Wall-hanger size

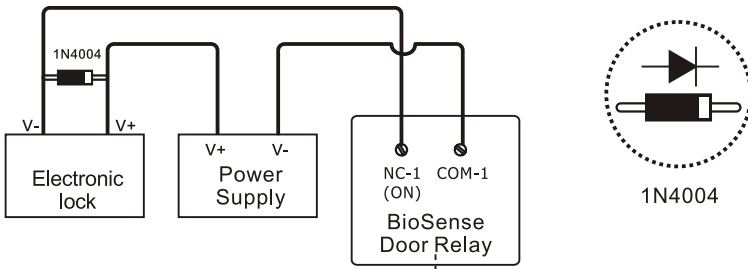


### E. Structures

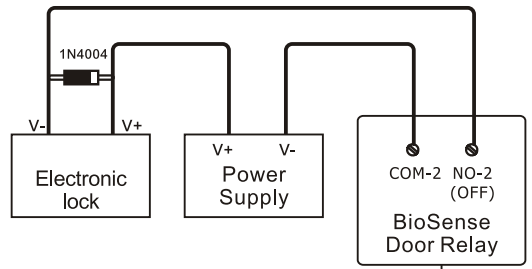


## Door Relay Connection

### • Fail-Safe Lock

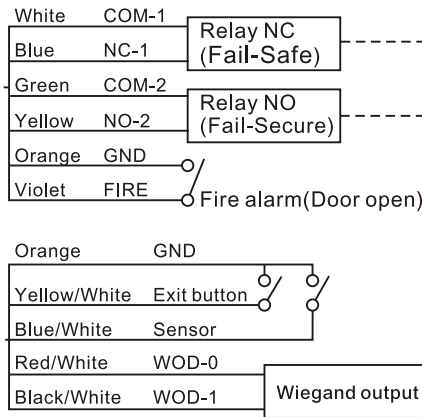
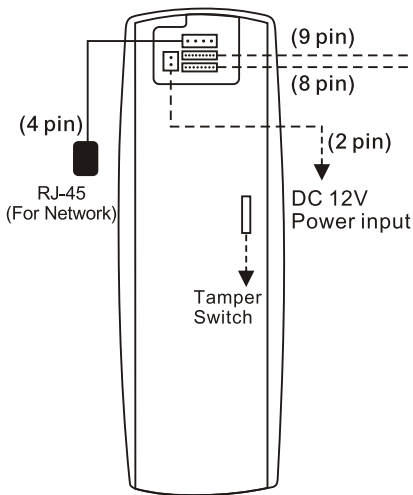


### • Fail-Secure Lock



## F. Wiring definition

### ※ Controller Mode



Based on lock types to select connecting relay COM-1 or COM-2

## G. Wires Description

### 9 pin

COM-1	White	Relay NC
NC-1	Black	Relay NC
COM-2	Green	Relay NO
NO-2	Yellow	Relay NO
GND	Orange	Ground
N/A	Green/White	Keep
N/A	Violet/White	
OUTPUT	Yellow/Black	Reserved output (TTL 5V)
FIRE	Violet	Fire alarm input

### 8 pin

485-	Gray	RS-485
485+	Brown	
FGND	Orange	RS-485 Ground
WOD-0	Red/White	Wiegand Output
WOD-1	Black/White	
GND	Orange	Ground
Button	LED	Button
Sensor	Buzzer	Sensor
Button	LED	Button
Sensor	Buzzer	Sensor

### 4 pin

4 pin color	RJ-45 cable color
Yellow	Green
Green	Green/White
Red	Orange
Black	Orange/White

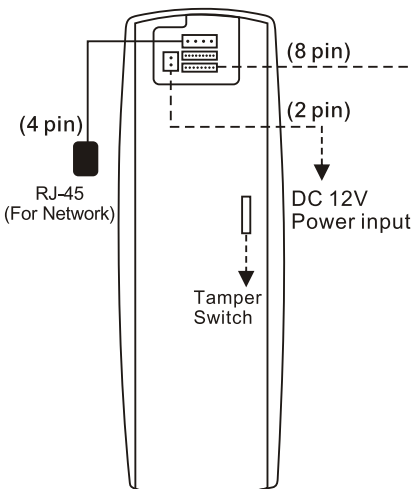
### 2 pin

VIN-	Black	Power input
VIN+	Red	DC 12V(1A)

Default is controller mode.

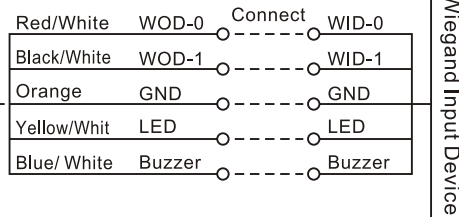
For reader mode, please go to Biosense web (terminal setup) and change it.

### ※ Reader Mode



Controller Mode Exit Button/Sensor

Reader Mode LED/Buzzer



LED control	Normal 5V. When GND is shorted, LED status becomes green.
Buzzer control	Normal 5V. When GND is shorted, buzzer starts beeping and LED changes to red.