

SEMAC-RO (Optional)

Extendable 4-Relay Module

3-Event Handle Relays

1-Security of Energy Saving Relay

1/2/4 Doors Access Control System

SEMAC-D1/D2/D4

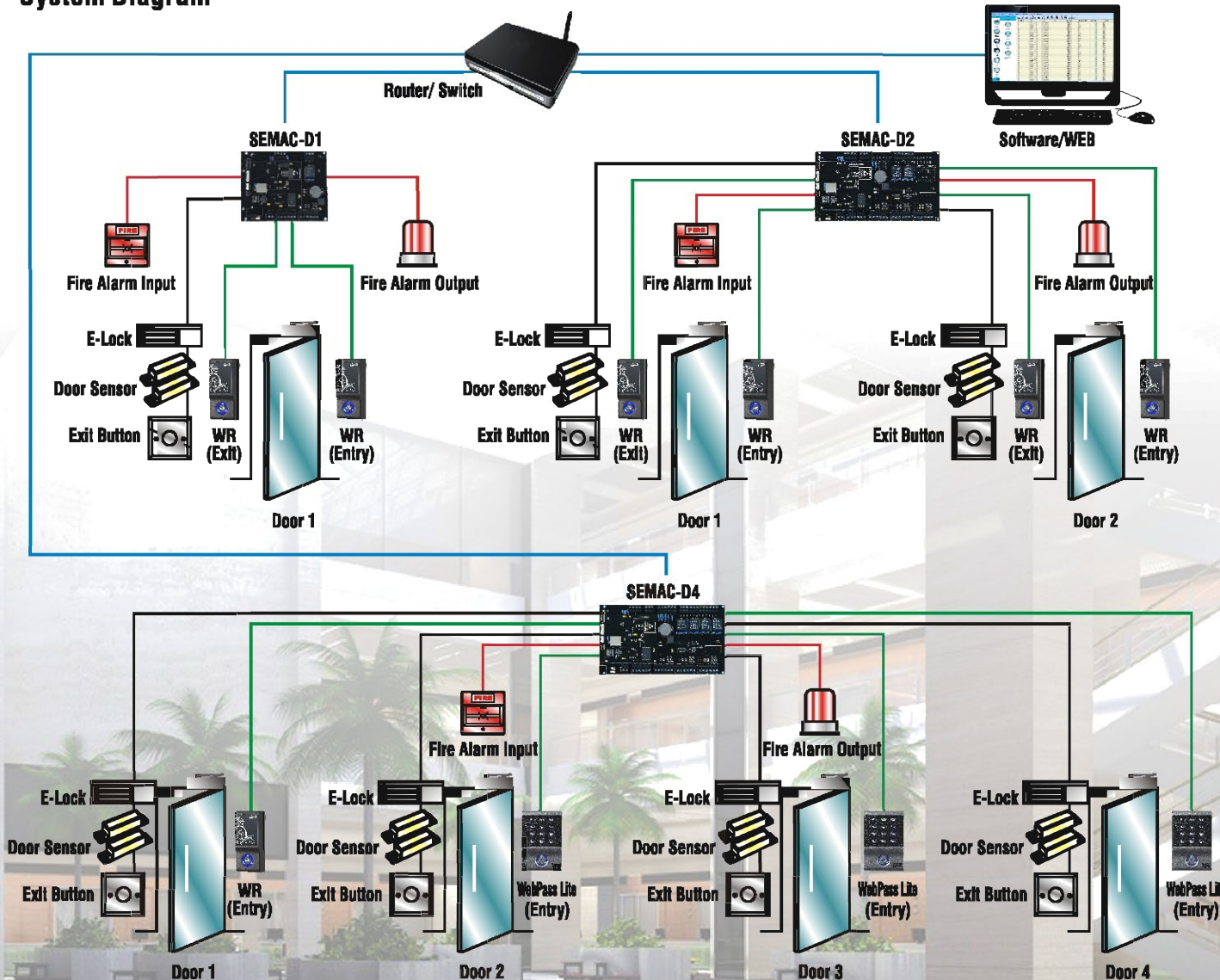
Specifications

Model	SEMAC-D1	SEMAC-D2	SEMAC-D4
Door Capacity	1	2	4
Wiegand Interface	2	4	4
Exit Button Connection	1	2	4
EM Lock Connection	1	2	4
Sensor Connection	1	2	4
Access Log	60,000 entries	60,000 entries	60,000 entries
Extendable TTL Interface (Require extra component)	2 (Reserved)	1 (Reserved)	1 (Reserved)
Extendable Input (Require extra component)	2 (Reserved)	2 (Reserved)	2 (Reserved)
Extendable Output (Optional relay box module)	4 (Optional)	4 (Optional)	4 (Optional)
Fire Alarm Connection	V	V	V
Power Box LED Connection	V	V	V
TCP/IP Interface	V	V	V
Two Ways Access Control	V	V	X
Accessibility To Wiegand Reader's Light and Buzzer	V	V	V
Power Requirement	DC 9~24V	DC 9~24V	DC 9~24V
Power Consumption (Exclude external device)	180mA	220mA	300mA
Suggest Power Spec. (Include extra relay box module and wiegand readers)	1A	1.5A	2A
EM Lock Relay Box Spec.	10A 277VAC/28VDC	10A 277VAC/28VDC	10A 277VAC/28VDC
Extend Input Spec.	0~3.3V	0~3.3V	0~3.3V
Extend Output Spec.	0~3.3V	0~3.3V	0~3.3V
Wiegand Reader Power Requirement	9~24V	9~24V	9~24V
Reader Communication Mode	Wiegand 26~66 bit	Wiegand 26~66 bit	Wiegand 26~66 bit
Max. Range For Wiegand Reader	80 Meters	80 Meters	80 Meters
Operation Temperature	0~55 °C	0~55 °C	0~55 °C
Operation Humidity	5%~80%,RH	5%~80%,RH	5%~80%,RH
Dimension/Weight	138x114x27mm/150g	200x114x27mm/200g	200x114x27mm/250g

Key Features

- Manage 1 door 2 ways / 2 doors 2 ways / 4 doors 1 way
- Built in WEB server, accessible via cell phone or PC pad
- 20,000 user cards / 60,000 logs and event reports / 1,500 system logs
- Authorized settings: time setting / zone setting / group setting / holiday setting
- Support any kind of wiegand reader with 26 / 34 / 66 format
- WAN : automatically uploads logs and keeps server updated
- DDNS : one server to hundreds devices
- DIO function for event such as fire alarm system triggering device without delay
- Anti pass back and inter-locking functions for people and visitors management at different areas jail, military, bank...etc.
- Easy to upgrade via internet web server or TFTP tool
- On line fast registry
- Combine IP camera to centralize captured pictures when swiping cards or event triggered
- First administrator card and multi badges functions
- High accuracy timer IC with annual time deviation less than 2.5 minutes. Without power supply, lithium battery itself can support up to 6~ 8 years (will not consume battery energy when power is back on)
- Optional 4 relay box module : 3 events handle & 1 for security or energy saving

System Diagram



CHIYU TECHNOLOGY CO.,LTD www.chiyu-t.com.tw

Chiayi : +886-5-2325465 Taipei : +886-2-22783389 E-mail : sales@chiyu-t.com.tw