

## A. Package content / 包裝內容

### ■ PARTS / 包裝內容

Reader X 1, Accessory kit X 1 (Plastic screw X 2, Fastening screw X 2),  
Installation manual X 1  
感應讀頭 X 1, 配件包 X 1 (塑膠壁虎 X 2, 固定螺絲 X 2), 安裝指南 X 1

## B. INSTALLATION / 安裝

1. Open the back cover of reader. / 打開讀卡機後蓋。
2. Install the back cover to the position by using the attached screws.  
用內附螺絲將後蓋固定在安裝位置。
3. Pass the cable through the central circle hole of back cover.  
將纜線由後蓋中央圓孔穿出。
4. Combine the body. / 組合機體。

■ Physical Dimension / 外觀尺寸: 88 X 109 X 33 (mm)

### ■ RECOMMENDED / 建議採用

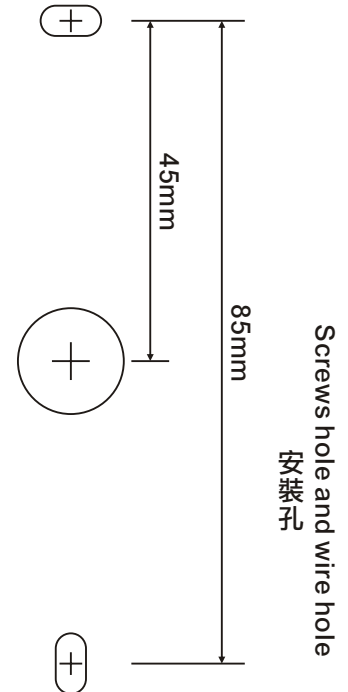
- Cable with shielded, Linear DC power supply. / 遮蔽電纜線, 線性直流電源

### ■ SPECIFICATIONS / 規格

- Voltage range / 電壓範圍: 9 ~ 24 VDC
- Current max. Average / 最大電流: 300 mA
- Max distance for wiegand is 80M / 微根通訊最遠距離: 80M

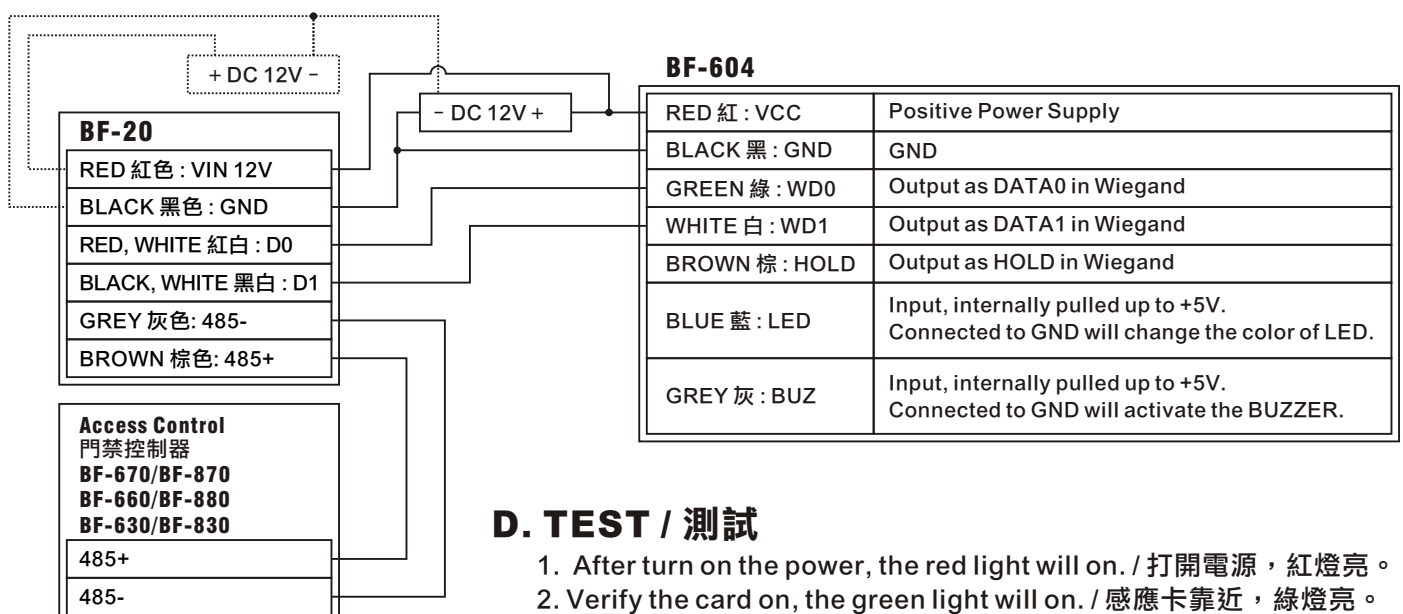
### ■ Notice / 注意事項:

- Do not connect other cable to the power unit except red and black power cable.  
除電源線外, 其他電線勿與電源接觸。
- Do not apply any unverified power supply to the unit or the hardware system may be damaged or may cause system an unstable condition.  
採用不符合規格之變壓器可能會造成系統不穩定或對硬體造成損傷。



## C. Connection / 接線

- Using same power supplier for BF-604 and BF-20 / 共接電源
- ... Using different power supplier for BF-604 and BF-20 / 分接電源



## D. TEST / 測試

1. After turn on the power, the red light will on. / 打開電源, 紅燈亮。
2. Verify the card on, the green light will on. / 感應卡靠近, 綠燈亮。
3. The yellow light no use. / 黃燈無作用。