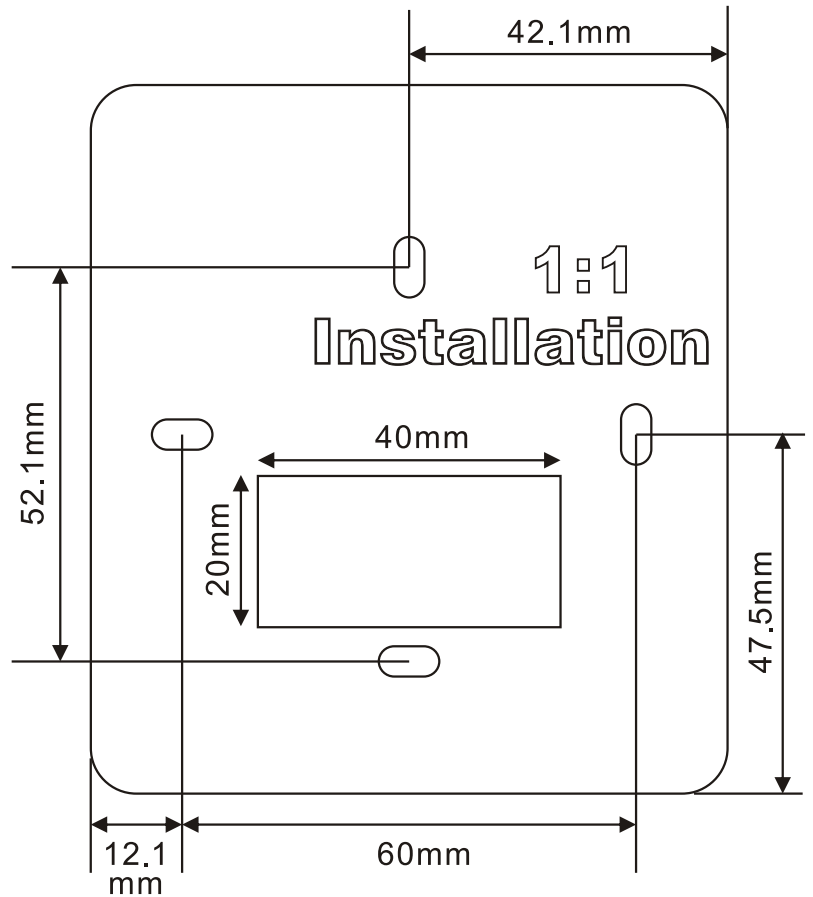
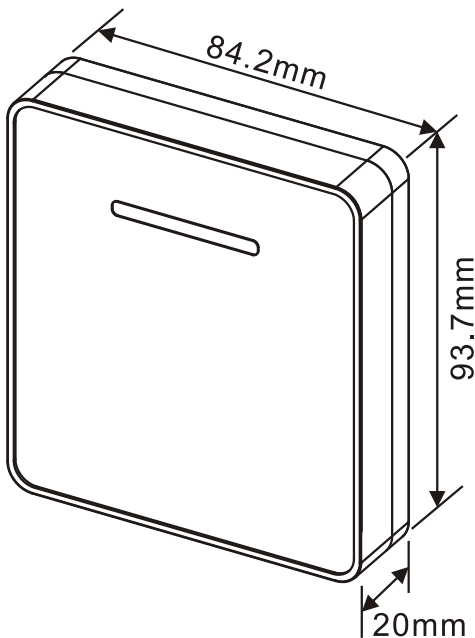


### A. Package Content

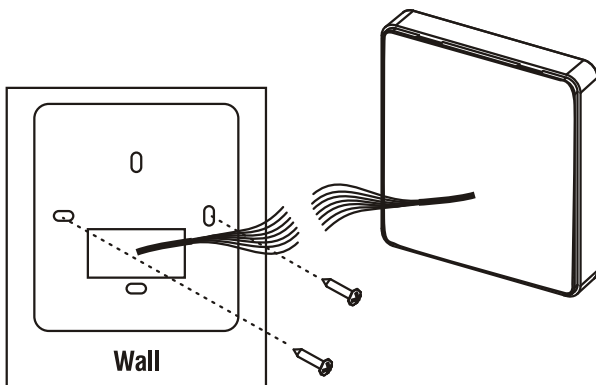
- Reader, Installation manual, Screw x 2, Anchor x 2  
Torx screw x 1, Screwdriver x 1

### ■ Specification

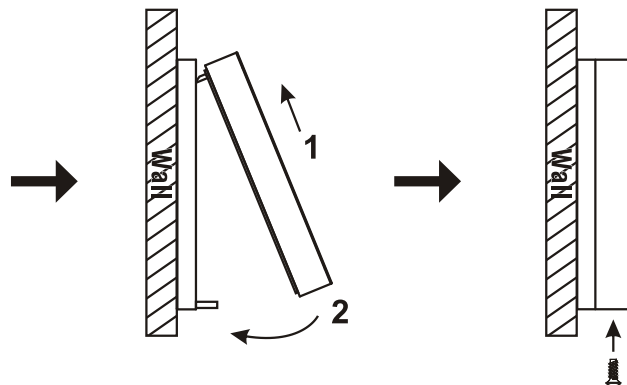
- Dimension : 84.2 x 93.7 x 20 mm
- Voltage range : DC 9 ~ 24V
- Current : Max 200mA
- Wiegand range : up to 100M
- Working temperature : - 20 °C ~ 70 °C
- Recommend shielded cable



### B. Installation Guide



Install back case on the wall and connect cable

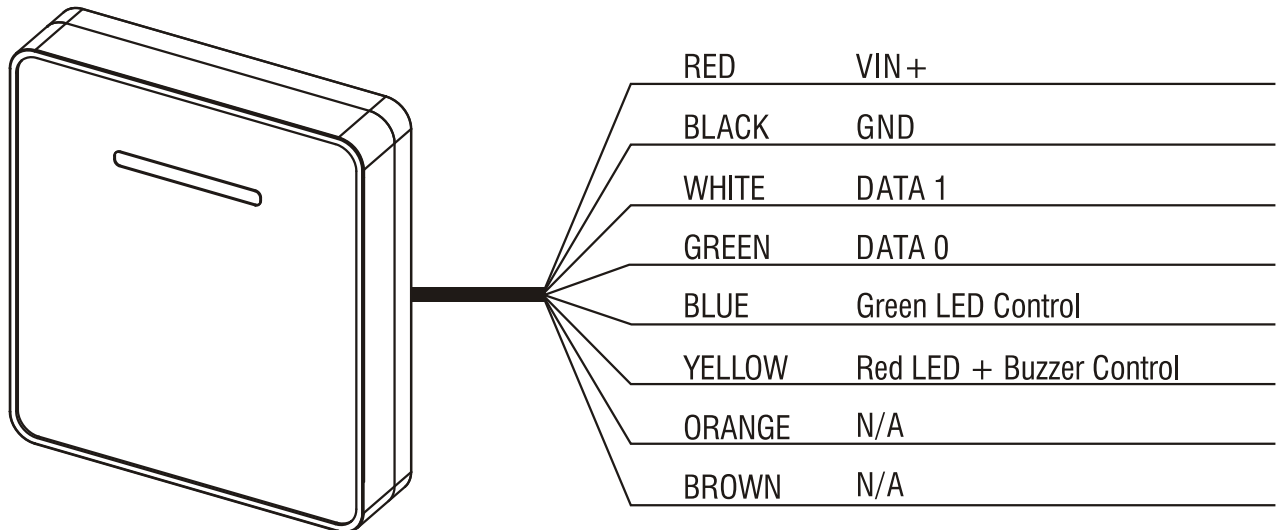


Install reader : clip top side first then press down  Fasten torx screw

### C. Cable Instruction

1	RED	VIN+ (Power Positive)	DC 9~24V
2	BLACK	GND (Power Negative)	
3	WHITE	DATA 1	Wiegand Cable
4	GREEN	DATA 0	
5	BLUE	Green LED Control / Low Potential	
6	YELLOW	Red LED + Buzzer Control / Low Potential	
7	ORANGE	N/A	
8	BROWN	N/A	

### D. Connection Example



### E. Buzzer & LED Instruction

