

A. Package content

- Controller x 1, Wall hanger x 1, Kit pack x 1 (screw anchors x 4, screw x 4, diode 1N4004 x 1), Cable (2 pin x 1, 5 pin x 1, 6 pin x 1, 8 pin with RJ45 x 1), CD x 1, Warranty card x 1

B. Specification

- Power input : 9-24V DC
- Recommended power : 12VDC / 500 mA or more
- Wiegand range : Max 100M
- RS485 range : Max 1000M
- Relay : DC30V-2A
- Default IP : 192.168.0.66
- Dimension : 78.5 x 129 x 23 (mm)

■ Recommend

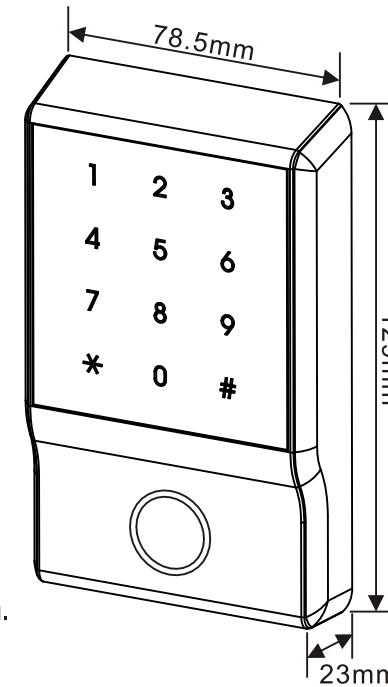
- Shielded cable, DC power supply, Network cable.

■ Note

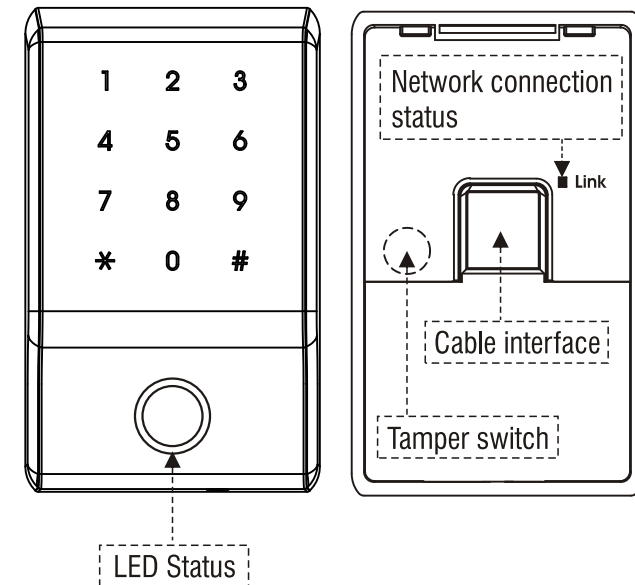
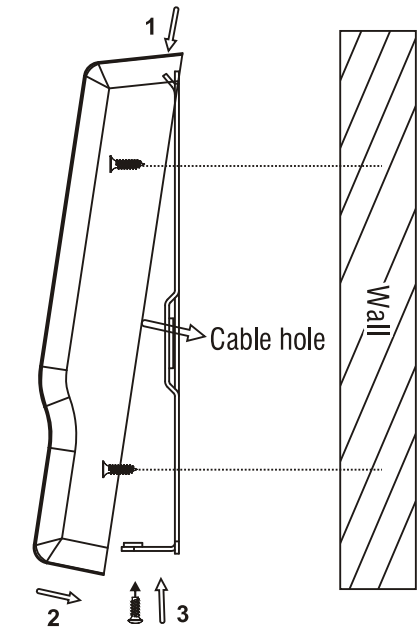
- Do not connect other cable to the power except the power cable.
- Do not apply any unverified power supply, otherwise system may be damaged or have an unstable condition.

C. Buzzer & LED description

Command	Buzzer	LED	LED status
Run in boot (please contact technical)		white	blink per one sec
Standby mode		blue	blink per one sec
System ready for dummy reader (disconnected with SEMAC)		blue & red	blink in turn per one sec
Security active (AS SEMAC reader)		red	blink per one sec
Illegal card/password	1 long beep	red	light on two sec
Available card/password	1 short beep	green	light on until relay is not trigger
Force open/ unlock		green	light on
Force close		red	light on
IP conflict	1 short & 1 long beep	red & keypad	blink per one sec
Door open too long/Intrusion Intruded	keep short beep per one sec	red	blink per one sec until event is solved
Enter command mode	1 short beep	blue & red	blink together per one sec
Read card under command mode		blue & red	blink in turn per one sec
Modification fail	1 long beep		
Disassemble (tamper switch on)	keep beeping		
Waiting for next verification (Ex: Multiple verification time zone, card + password)		keypad	blink per one sec (contunte 10 sec)
Enter wrong password 3 times		keypad	No action 30 sec

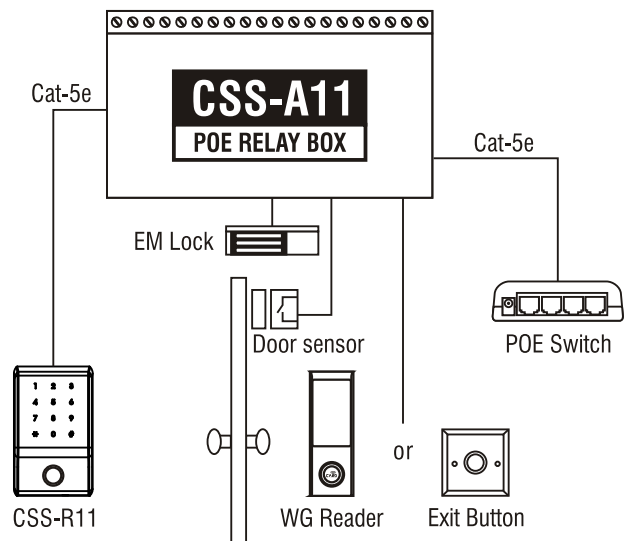


D. Installation

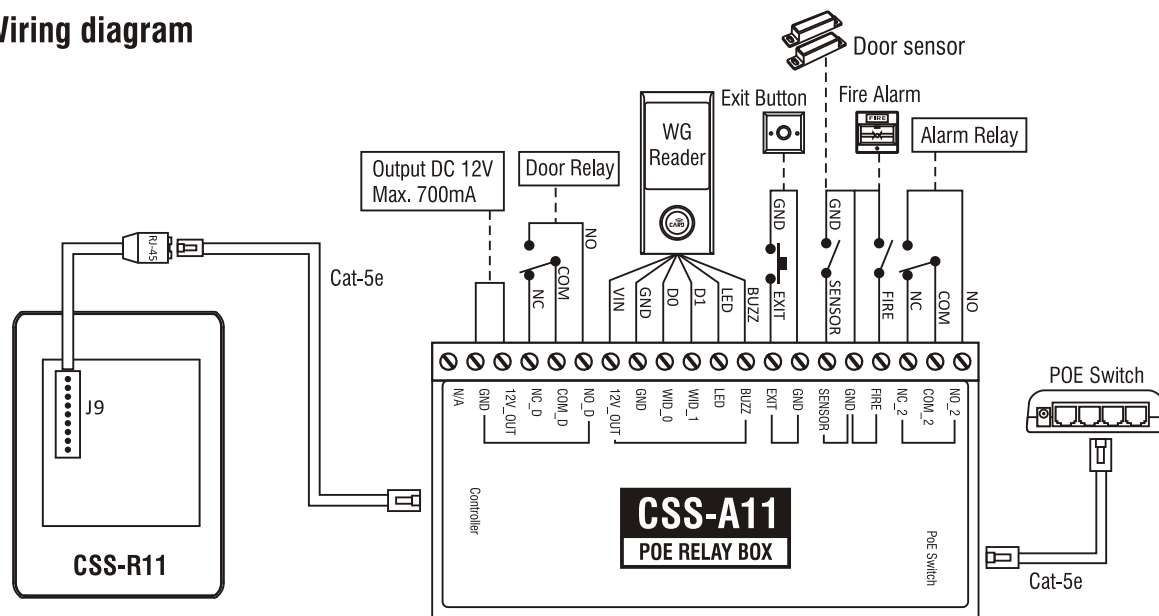


CSS-R11 + POE (CSS-A11) Wiring Instructions

E. Structure (Standalone + POE version RELAY BOX)

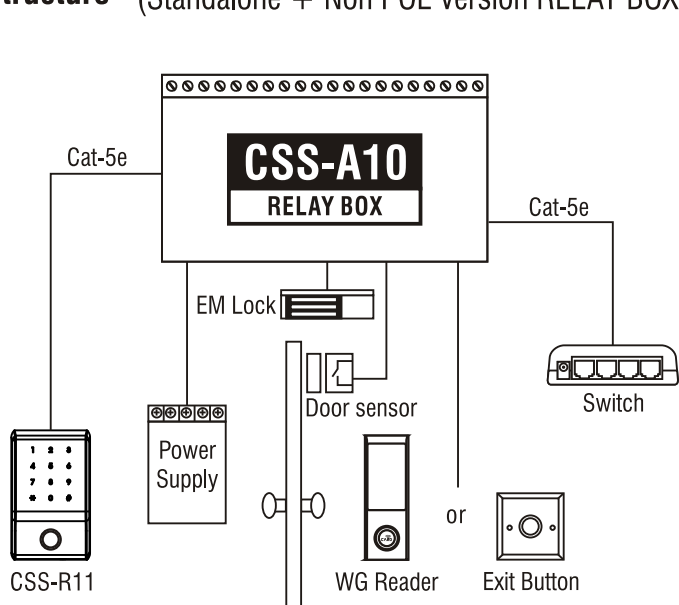


F. Wiring diagram

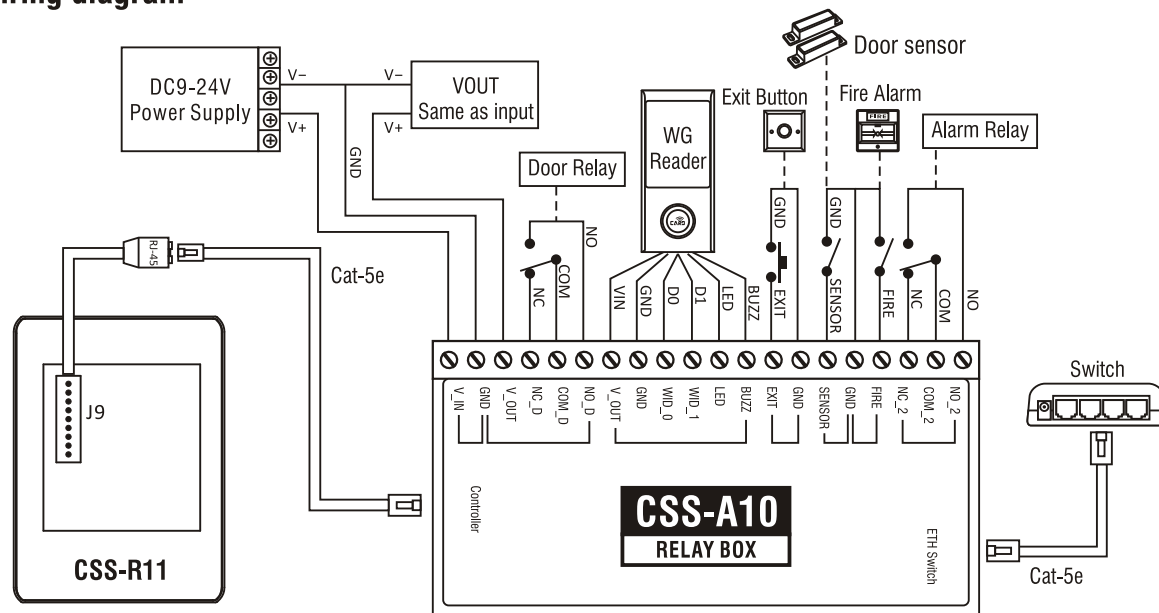


CSS-R11 + RELAY BOX (CSS-A10) Wiring Instructions

Structure (Standalone + Non POE version RELAY BOX)

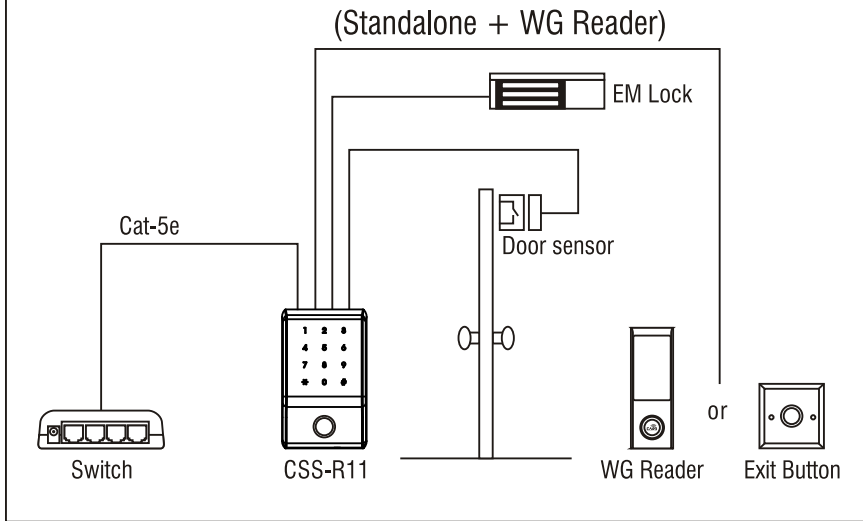


Wiring diagram



CSS-R11 Standalone Wiring Instructions

G. Application



H. Cable description

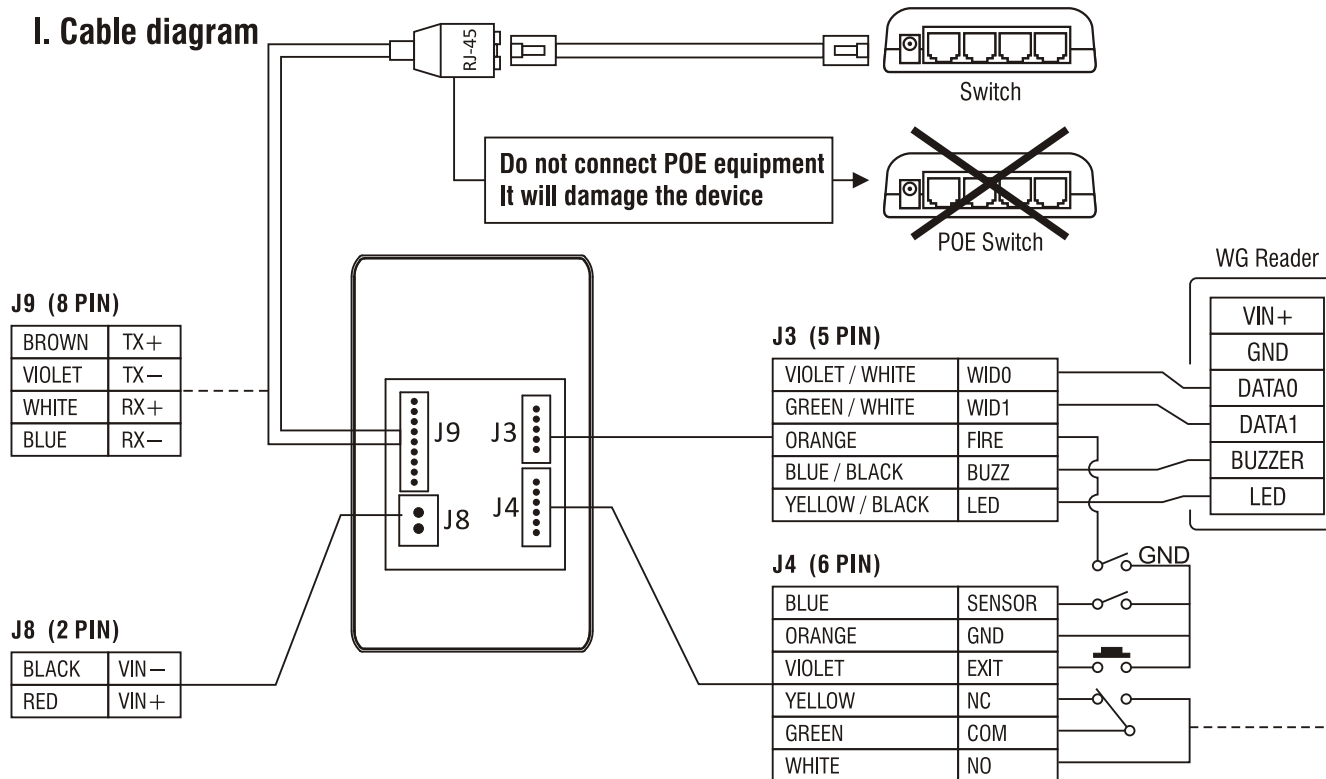
J9 8PIN with RJ45		CAT.5E		Ethernet
1	TX+	BROWN	ORANGE / WHITE	
2	TX-	VIOLET	ORANGE	TX-
3	RX+	WHITE	GREEN / WHITE	RX+
4	RX-	BLUE	GREEN	RX-
5	N/A	GREEN	N/A	
6	N/A	YELLOW		
7	N/A	BLACK		
8	N/A	RED		

J8		Power Input	
1	VIN-	BLACK	DC9-24V/ 500mA
2	VIN+	RED	

J3		Wiegand Input	
1	WID0	VIOLET / WHITE	
2	WID1	GREEN / WHITE	
3	FIRE	ORANGE	Fire Alarm
4	BUZZ	BLUE / BLACK	Control Wiegand reader LED / buzzer
5	LED	YELLOW / BLACK	

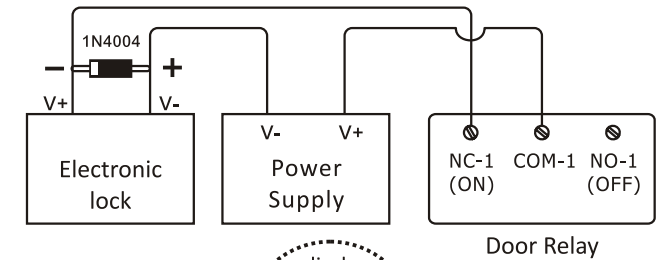
J4		Door Relay	
1	SENSOR	BLUE	Door Sensor
2	GND	ORANGE	GND
3	EXIT	VIOLET	Exit Button
4	NC	YELLOW	Door Relay
5	COM	GREEN	
6	NO	WHITE	

I. Cable diagram

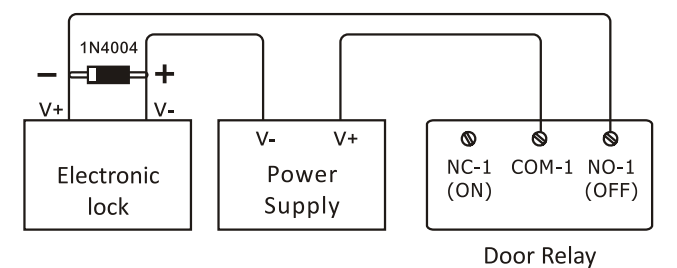


Electronic lock and door relay connection

• Electronic Lock Fail Safe mode



• Electronic Lock Fail Secure mode



J. Command instructions

Configuration Parameters	Action	Explanation
User ID number	UUUUUU	1~6 digits (standard version: 20,000)
Number of cards you want to register in WebPass	QQQQQQ	1~6 digits
Password	PPPPPPP	4~8digits
Command	Action	Explanation
Enter to command mode	*123456#	Default password: 123456 , Buzzer long beeps after entered to command mode. On Command Mode: Blue and Red LEDs blink at same time. After 10sec, it will back to Normal mode: Blue LED blink per second. Command Error: 1 long beep
Password modification for entering command mode	06*AAAAA *BBBBB *CCCCC #	AAAAA : Old password BBBBB : New password CCCCC : New password again ※ Password is 4~6 digits
Door open relay configuration (Door close delay time)	02*TTTT #	Time setting: 1-65535secs/ Default :10sec
Door open waiting time(Door open delay time)	03*TTTT #	Time setting:1~65535 sec/Default:10sec
System time setting	04*HHMMSS #	HHMMSS=Hour/Minute/Second(24H)
System date setting	05*YYMMDDX #	YYMMDDX=Year/Month/Date/Weekday (YY=AD last two digit= 2009=09)
Setting for TID no. (Terminal ID)	07*TTTT #	TID no. can be: 1 ~ 65535
Access control setting (Relay)	08*T #	T= 0/1/2 → Force Open/ Force Close/Back to Normal
Verification mode setting	09*T #	T = 1~4 1 : Card, Common Password, or Personal Password 2 : Card only 3 : Common Password or Personal Password 4 : Card and Personal Password
Common Password setting	10*PPPPPPP #	★ Default is 1234, Please go to web to remove it.
Add single user	11*UUUUUU # read card	Scan card for registration (LED blue & red lighten)
Add single card + password user	11*UUUUUU *PPPPPPP # read card	Scan card for registration (LED blue & red lighten)
Add many users: card numbers are continuous	12*UUUUUU *QQQQQQ # read card	Scan the smallest card number to Reader
Add many users: card numbers are discontinuous	13*UUUUUU *QQQQQQ # read card	Scan the cards one by one to Reader
Disable user account(User status : Cancel)	14*UUUUUU #	
Enable user account (User status: Active)	15*UUUUUU #	
User password modification	16*UUUUUU *PPPPPPP #	4~8 digits (Password)
Modify user card Number	17*UUUUUU # read card	
Delete single user account	21*UUUUUU #	
Delete. Multi user accounts (card numbers are continuous)	22*UUUUUU *QQQQQQ #	
Delete all of user accounts	23*23*#	
Exit from command Mode	*#	