



INNOVATIVE DUAL SLOT

ACR39U-W1

SLEEK & STYLISH DEVICE

ACR39U-W1 is a sleek and stylish device that features an innovative dual slot design to **accommodate two smart cards simultaneously**.

ACR39U-W1 supports **ISO 7816 Classes A, B and C smart cards (5 V, 3 V, 1.8 V), microprocessor cards** with the T=0, T=1 protocol, and a wide variety of **memory cards** in the market.

The competitive advantage of ACR39U-W1 lies on its dual slot feature that allows users to operate two smart cards at the same time, enabling efficiency and enhanced security in smart card applications. As an example, one slot can hold the smart card of an authorized personnel managing a particular smart card-based service, while the other slot can be used by various individuals availing of such service. Through ACR39U-W1's dual slot solution, **the card slots can work independently** resulting in smoother and uninterrupted flow of transactions.

Compliant with both CCID and PC/SC, ACR39U-W1 can be used on **Windows, Linux, Mac OS, and Android OS**.



KEY FEATURES

- ✔ **Innovative dual slot design**
 - Card slots work independently
- ✔ **Support various type of contact card type**
 - ISO 7816 Class A, B and C (5 V, 3 V and 1.8 V)
 - Microprocessor Card (T=0 or 1)
 - Memory Card
- ✔ **Reliable**
 - Certified for international regulations
 - IEC/EN 62368, CE, UKCA, FCC, RoHS, REACH, WEEE
 - Mean time between failures (MTBF) up to 500k Hours
 - Card Insertion Cycles: 100k Times
 - Short Circuit Protection
- ✔ **Compatibility**
 - Support for all major operating systems
 - Windows, Linux, Mac OS and Android
 -

Common Applications

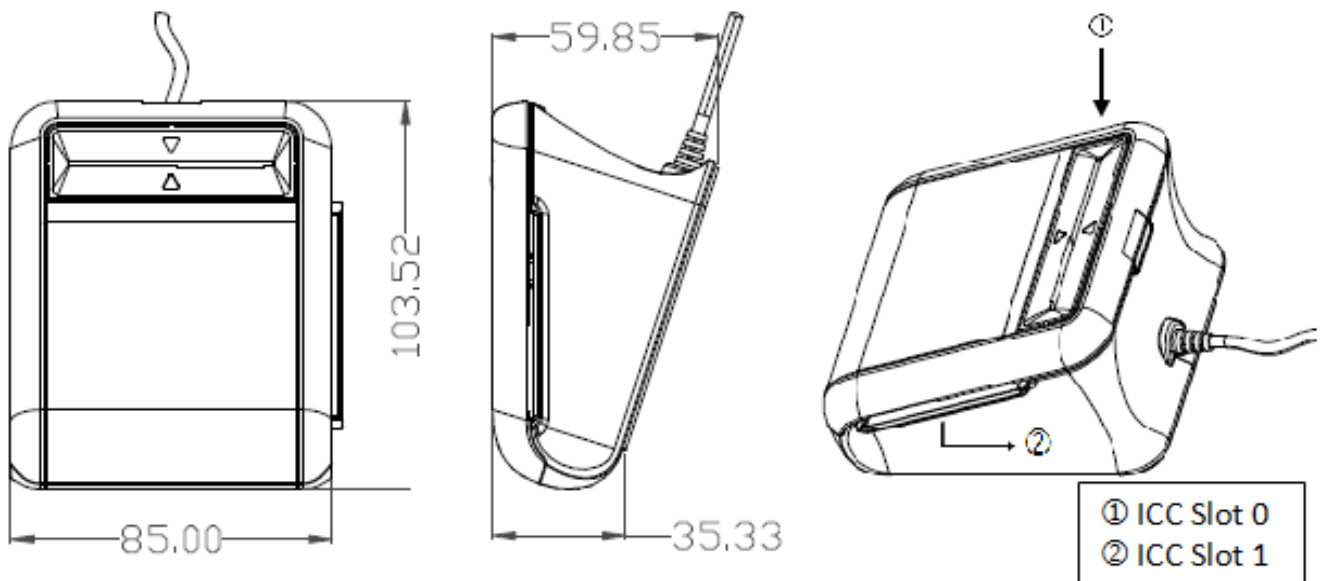
- e-Government
- e-Banking and e-Payment
- e-Healthcare
- Public Key Infrastructure
- Network Security
- Access Control
- Loyalty Program



TECHNICAL SPECIFICATION

Contact Smart Card Interface		Dimension (L x W x H)	103.5 × 85.0 × 59.9 mm
Number of Slot(s)	2 Full-sized Card Slot	Weight	310 g (± 5 g)
Supported Card Types	ISO 7816 Class A, B, C (5 V, 3 V, 1.8 V), Microprocessor Card (T=0, T=1), Memory Card	Available Colour	White
Supply Current	Max. 50 mA	USB Cable Length	1.5 m (Non-detachable)
Read/Write Speed	9.6 –600 kbps	Peripherals	
Clock Frequency	4.80 MHz	LED	2 x Programmable LED (Blue & Green)
Card Connector	ICC Slot: Contact/ Sliding	Operating Condition	
Card Insertion Cycles	Min. 100,000	Temperature	0 - 50°C
PPS (Protocol and Parameters Selection)	Supported	Humidity	90% (Non-condensing)
Short Circuit Protection	Yes	MTBF	500,000 Hours
Host Interface		Certifications & Compliances	
Protocol	USB CCID	Certifications	EN 62368, CE, UKCA, FCC, RoHS, REACH, WEEE, Microsoft® WHQL
Connector Type	USB Type-A	Compliances	USB CCID, PC/SC
Speed	USB 2.0 Full Speed (12Mbps)	Drivers & Support	
Supply Voltage	5 VDC	Driver Supported OS	Windows, Linux, Mac OS, Android
		Warranty	1 Year
		Model/Part Number	
		USB Type-A	ACR39U-W1

MECHANICAL SPECIFICATION



About ACS

Advanced Card Systems Ltd. (ACS), founded in 1995, is Asia Pacific's top supplier and one of the world's top 3 suppliers of PC-linked smart card readers. ACS is the winner of the Product Quality Leadership Award for Smart Card Readers from Frost & Sullivan. In 2010, 2014 and 2015, ACS was listed in Forbes Asia's "Best Under a Billion" list, an inter-industry list comprised of 200 top-performing publicly listed companies in the Asia-Pacific, with sales between US\$5 million and US\$1 billion. ACS develops a wide range of high-quality smart card reading/writing devices, smart cards and related products and distributes them to over 100 countries worldwide.

Click [here](#) for Sales Enquiry

Tel: +852-2796-7873

Fax: +852-2796-1286