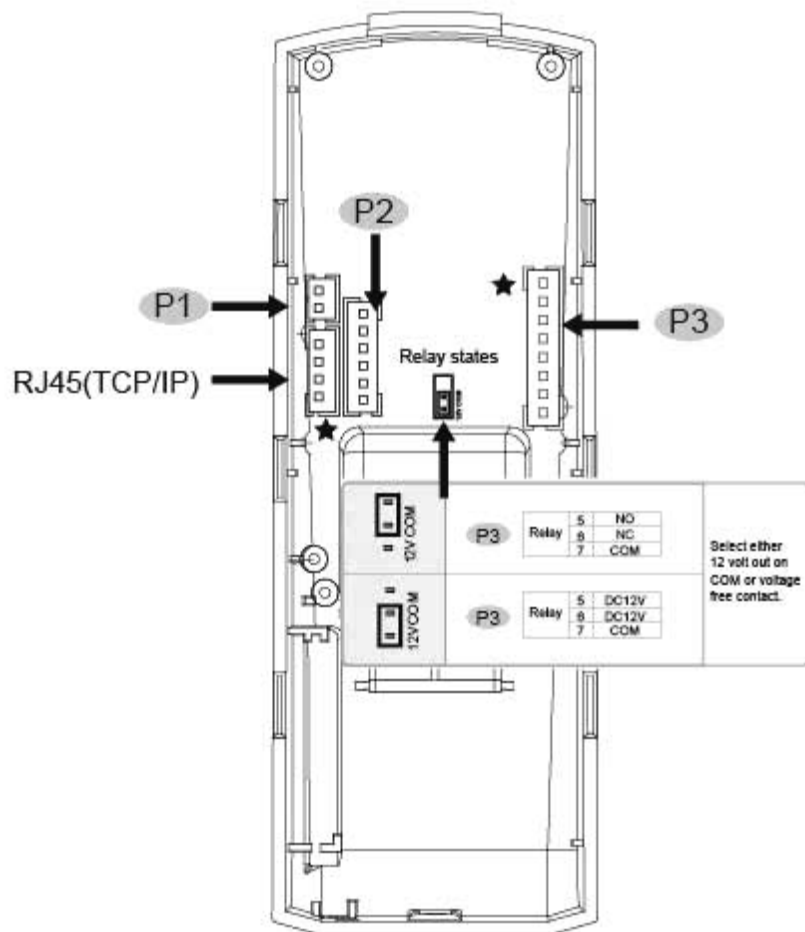


Wiring Instruction



The interface marked with ★ for specific models, Please according to the practical device to wiring.



P1

| Function | PIN | Cable Color | Description |
|----------|-----|-------------|-------------|
| Power | 1 | Red | DC12V |
| | 2 | Black | GND |

P2

★

| Function | PIN | Cable Color | Description |
|----------------|-----|-------------|----------------------|
| Wiegand Output | 1 | Green | Wiegand DATA0 Output |
| | 2 | White | Wiegand DATA1 Output |
| | 3 | Black | GND |
| RS485 | 4 | Yellow | RS485A |
| | 5 | Purple | RS485B |
| | 6 | Black | GND |

★

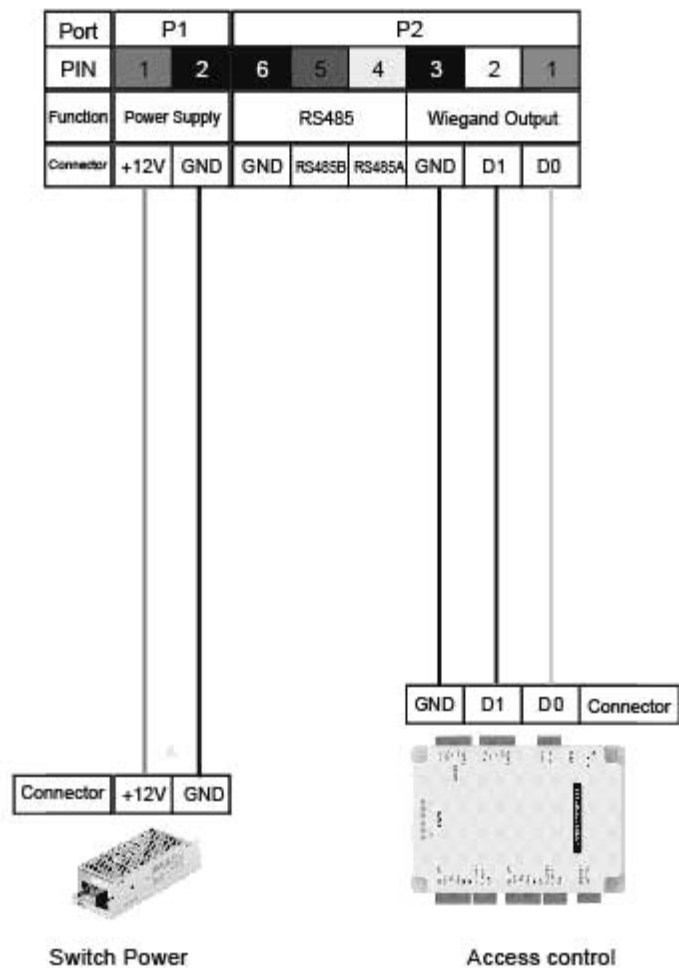
P3

| Function | PIN | Cable Color | Description |
|-------------|-----|-------------|---------------|
| Door Sensor | 1 | Purple | Trigger Input |
| Exit Button | 2 | Yellow | Trigger Input |
| | 3 | White | |
| Relay | 4 | White | |
| | 5 | Black | GND |
| | 6 | Green | COM |
| GND | 7 | Orange | NC |
| | 8 | Blue | NO |

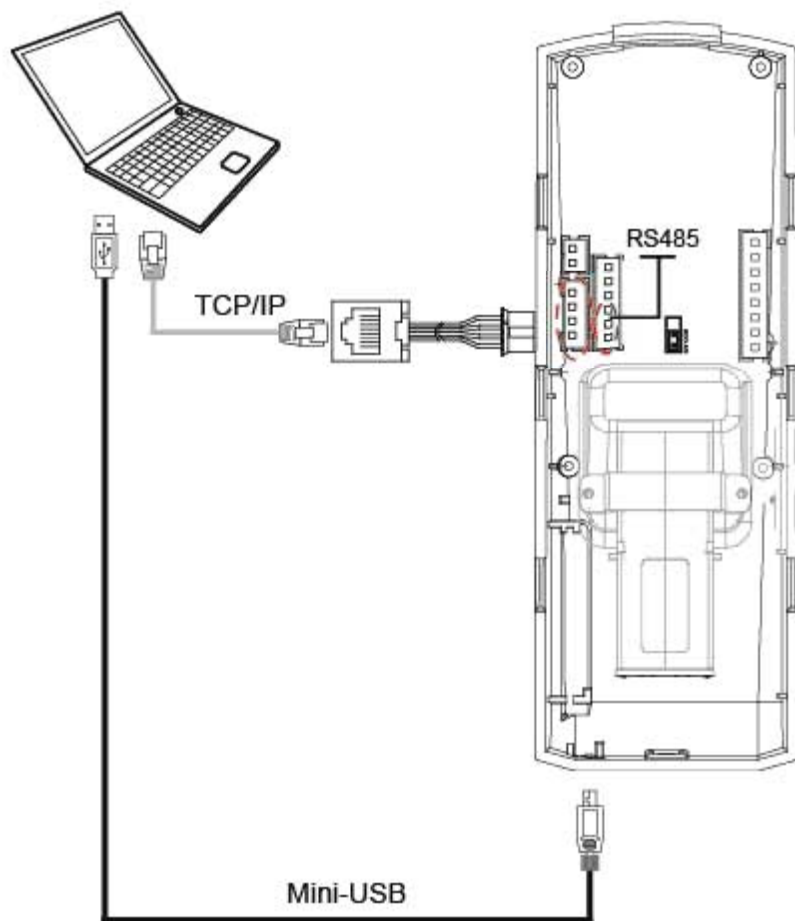


Important notice: Please carefully follow this wiring diagram, If the reader gets damaged by incorrect wiring then your warranty will be void.

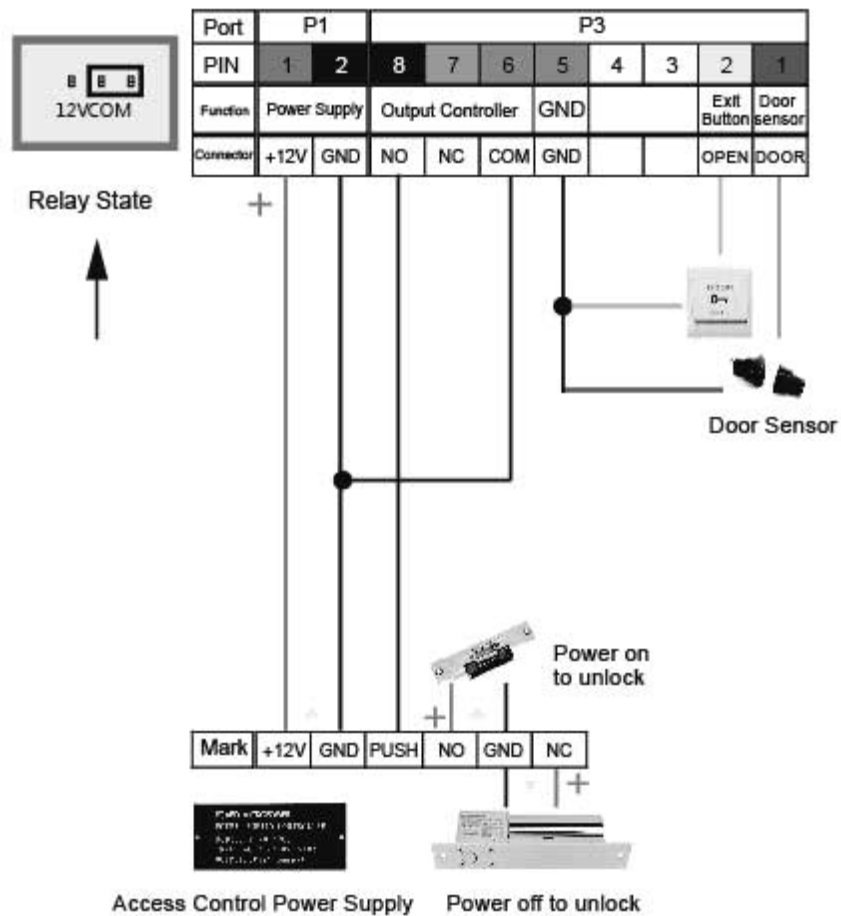
Access Control Reader & Controller



Communicate with PC



Access Control Reader & Power Supply



Access Control Reader & Switch Power Supply

