

WR-E1/M1/E2/M2

V1.0

INSTALLATION HW 1.0

A. Package Content

Reader x 1, Installation manual x 1
Accessory kit x 1 (Plastic screw X 2, Fastening screw X 2)

B. Installation

1. Open the back cover of reader.
2. Please use the attached screws to fix the back cover to the position.
3. Pass the cable through the central circle hole of back cover.
4. Combine the body

● Specification

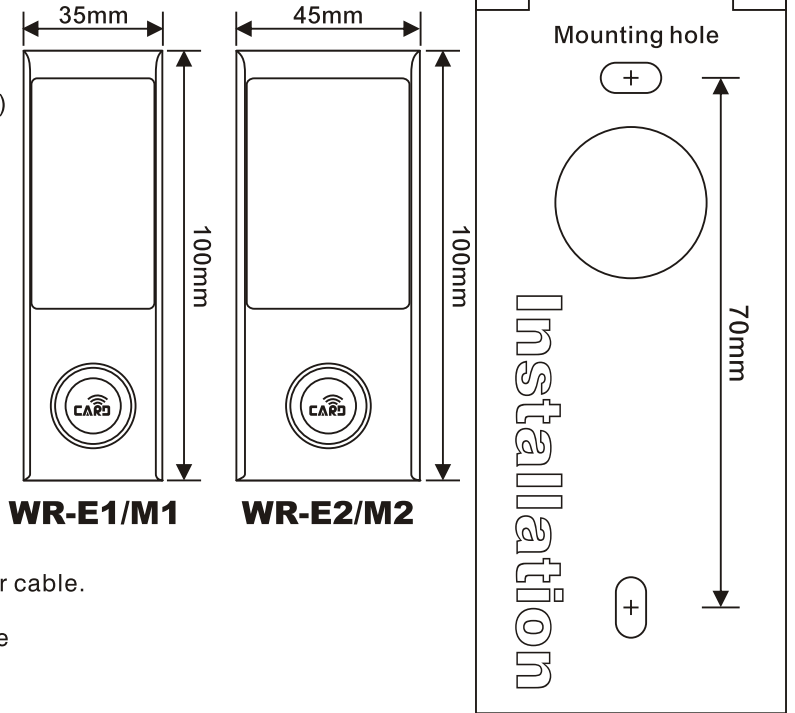
Voltage Range: 9~24V DC
Max current: 200mA
Distance for Wiegand communication: 80M

● Recommend

Shielded cable & linear DC power supply

● Notice

Do not connect other cable to power except the power cable.
Do not apply any unverified power supply to the unit, otherwise it may cause system unstable and hardware damaged.



C. System wiring explanation

● BF-50, SEMAC RJ-45 cable and Wiegand reader wire connection

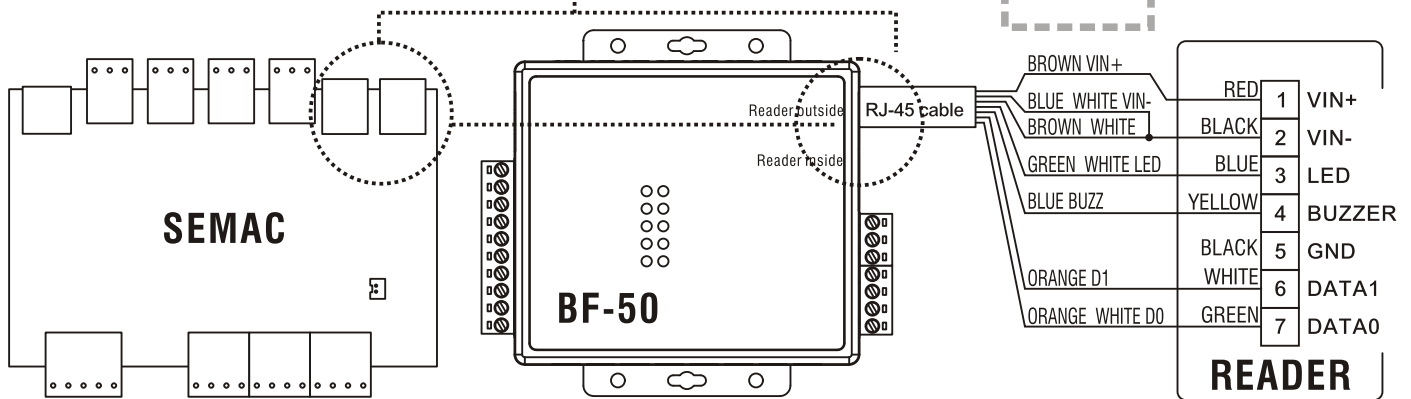
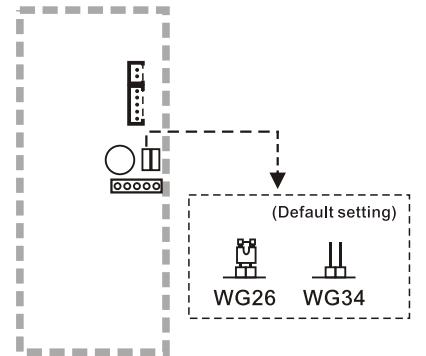
| | | |
|---|--------------|--|
| 1 | ORANGE WHITE | D0, WG input 0 |
| 2 | ORANGE | D1, WG input 1 |
| 3 | GREEN WHITE | LED control contact |
| 4 | BLUE | Buzzer control contact |
| 5 | BLUE WHITE | Reader sensing control (Must short GND) |
| 6 | GREEN | Reserved |
| 7 | BROWN WHITE | POWER- |
| 8 | BROWN | POWER+ |

DC 12V

● WR-E1/M1/E2/M2 Cable color

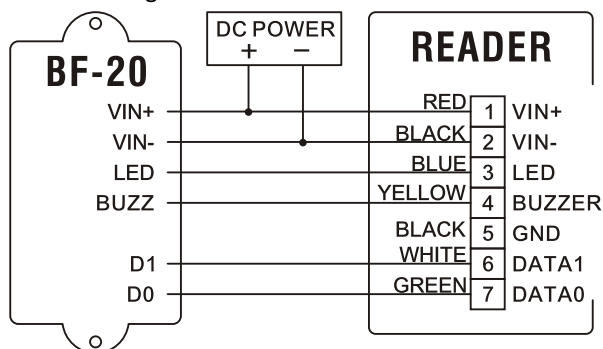
| | | | |
|---|--------|------------------------|----------|
| 1 | RED | VIN+ | 9~24V DC |
| 2 | BLACK | VIN- | |
| 3 | BLUE | LED CONTROL CONTACT | |
| 4 | YELLOW | BUZZER CONTROL CONTACT | |
| 5 | BLACK | GND | |
| 6 | WHITE | DATA1 | |
| 7 | GREEN | DATA0 | |

D. Machine backside introduction



● BF-20 & WG 34 RFID reader Connection

1. Sharing Power



2. Independent power supply

