

# BF-1010

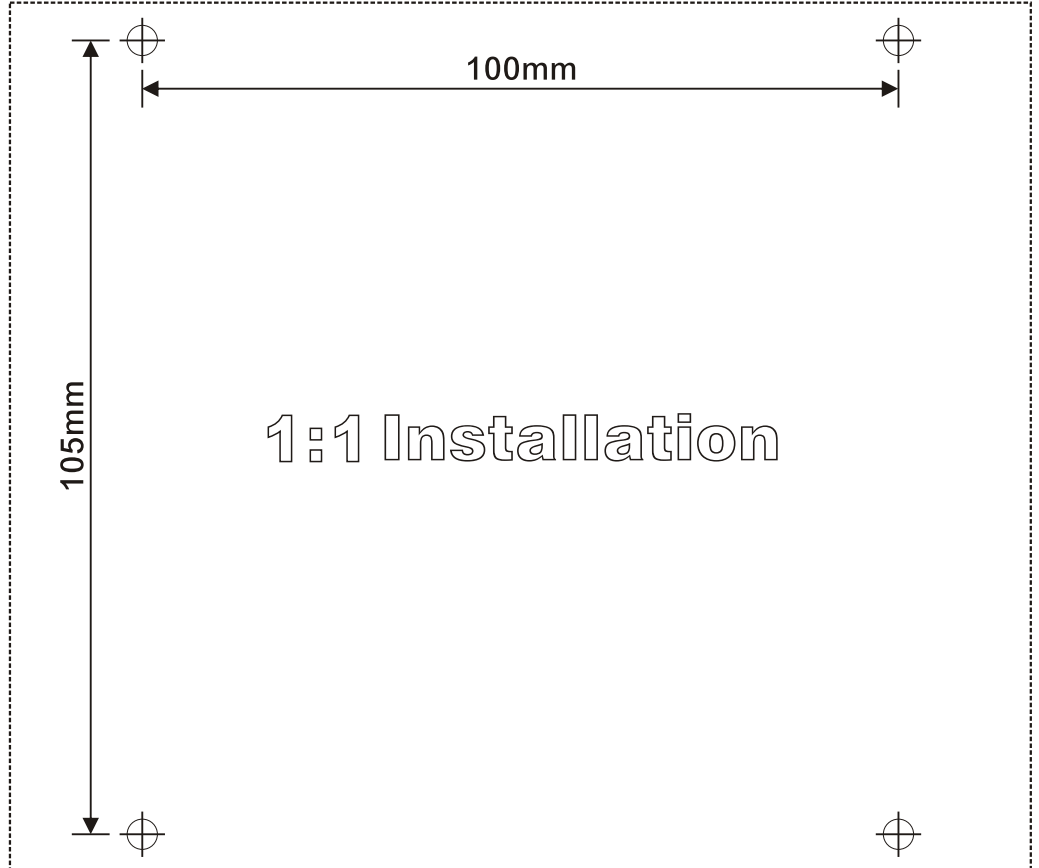
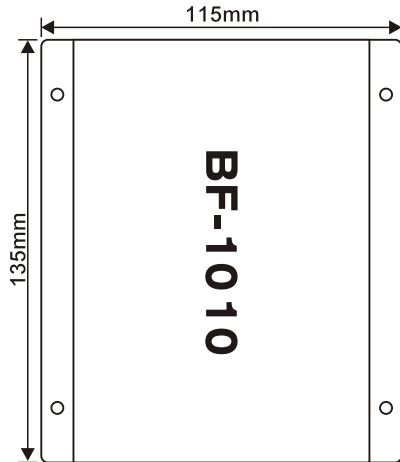
V1.0

## INSTALLATION HW 1.0

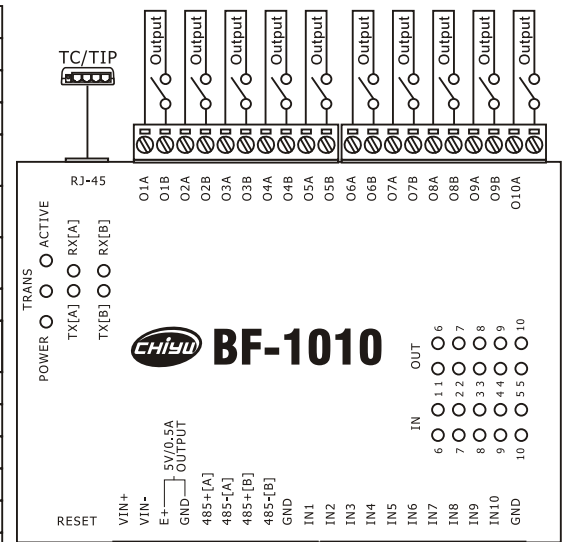
### A. Package content

- Installation Guide X 1
- Accessory kit X 1  
(Plastic screw X 4, Fastening screw X 4)

### B. Specification



Item	Specification
CPU	16 bit CPU, 100MHz
Memory	512 KB ROM & 1MB SDRAM
Interface	Web based interface
Input	1. 10 digital input ; 2. Terminal block for interworking ; 3. Optocoupler isolation: 2,500V(DC) ; 4. Voltage overload protection: 70V (DC)
Output	1. 10 digital output ; 2. Terminal block for interworking ; 3. Optocoupler isolation: 2,500V(DC) ; 4. Built-in Relay (Made in Japan): DC:30V, 1A
Ethernet	1. One RJ-45 port ; 2. 10/100 Base-T Full/ Half duplex support ; 3. Auto-crossover detecting
RS-485	1 - 2 RS-485 ; 2 - Terminal block for interworking
LED indicator	1. Power - 2. Network - 3. 2 RS-485 - 4. 10 digital input - 5. 10 digital output - 6. Expansion interface for data transmission
Power supply	DC 9 -24V , 0.5A~1A
ESD	Contact Discharge 4KV ; Air Discharge 8KV
Operating temperature	0°C ~ 65°C
Operating Humidity	5 ~ 95%RH
Storage Temperature	-20°C ~ 85°C
Weight	525 g.
Dimensions ( L x W x H )	135 x 115 x 35 mm



### C. System Connection

1~10 Output RelayAction switching guide  
(Need to move case)

