



Advanced Card Systems Ltd.
Card & Reader Technologies

ACR1281S-C1 Serial Dual Interface Reader



Technical Specifications V1.01



Table of Contents

1.0.	Introduction	3
2.0.	Features	4
3.0.	Typical Applications	5
4.0.	Technical Specifications	6



1.0. Introduction



ACR1281S-C1 DualBoost II is a dual interface reader that can access any contact and contactless smart cards following the ISO 7816 and ISO 14443 standards. ACR1281S-C1 enables one to conventionally integrate separate and independent applications for contact and contactless technologies into one device and one card.

The DualBoost II makes use of serial RS232 protocol to communicate with the PC or host. It also makes use of high-speed communication for contactless cards at a maximum of 848 kbps, which makes it suitable for highly demanding applications. It also provides intelligent support for hybrid and combi cards, such that it detects a contactless card even if it is inserted in the contact card slot. Lastly, it has a built-in SAM slot for added security in both contact and contactless applications.



2.0. Features

- Serial RS232 Interface: Baud Rate = 9.6 kbps (default), 19.2 kbps, 38.4 kbps, 57.6 kbps, 115.2 kbps, 230.4 kbps
- USB interface for power supply
- CCID-like frame format (binary format)
- Contactless Smart Card Reader:
 - Read/write speed of up to 848 kbps
 - Built-in antenna for contactless tag access, with card reading distance of up to 50 mm (depending on tag type)
 - Supports ISO 14443 Part 4 Type A and B cards and Mifare series
 - Built-in anti-collision feature (only one tag is accessed at any time)
 - Supports extended APDU (max. 64 kbytes)
- Contact Smart Card Reader:
 - Supports ISO 7816 Class A, B and C (5 V, 3V and 1.8 V)
 - Supports microprocessor cards with T=0 or T=1 protocol
 - Supports memory cards
 - ISO 7816 compliant SAM slot
- Built-in Peripherals:
 - Two user-controllable LEDs
 - User-controllable buzzer
- USB Firmware Upgradability
- Compliant with the following standards:
 - ISO 14443
 - ISO 7816
 - CE
 - FCC
 - RoHS

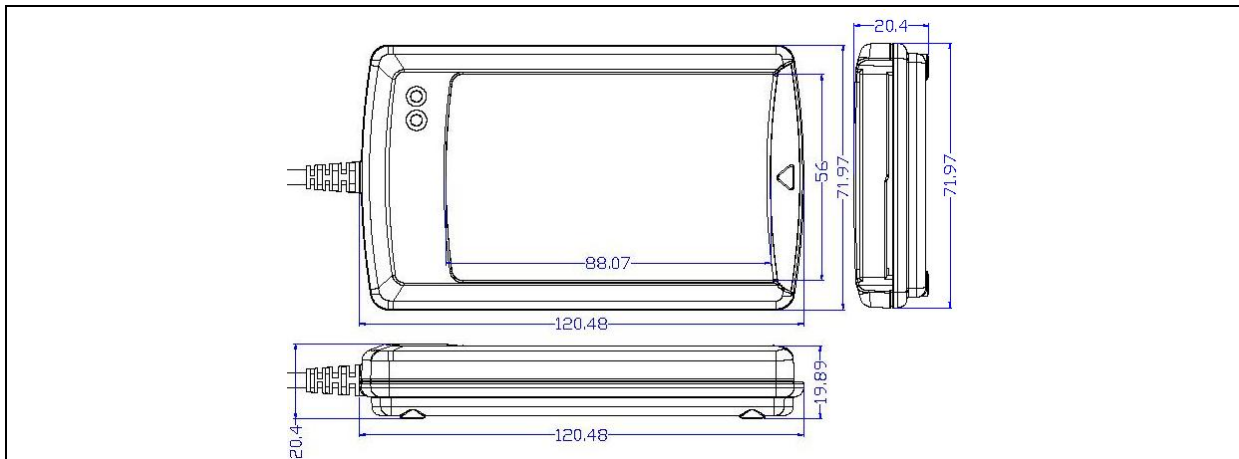


3.0. Typical Applications

- e-Government
- e-Banking and e-Payment
- e-Healthcare
- Transportation
- Network Security
- Access Control
- Loyalty Program



4.0. Technical Specifications



Serial Interface

Power Source From USB
 Speed 9.6 kbps (default), 19.2 kbps, 38.4 kbps, 57.6 kbps, 115.2 kbps, 230.4 kbps
 Supply Voltage Regulated 5 V DC
 Supply Current 200 mA

Contactless Smart Card Interface

Standard ISO 14443 A & B Parts 1-4
 Protocol ISO14443 T=CL for ISO14443-4 compliant cards and T=CL Emulation for Mifare series
 Smart Card Read/Write Speed 106 kbps, 212 kbps, 424 kbps, 848 kbps
 Operating Frequency 13.56 MHz
 Operating Distance Up to 50 mm (depends on card type)
 Antenna Size 65mm x 60mm

Contact Smart Card Interface

Standard ISO 7816 Parts 1-3, Class A, B, C (5 V, 3 V, 1.8 V), T=0 and T=1
 Supply Current Max. 60 mA
 Smart Card Read/Write Speed 9.6 – 344 kbps
 Short Circuit Protection +5 V/GND on all pins
 CLK Frequency 4.80 MHz
 Card Connector Landing
 Card Insertion Cycles Min. 200,000

SAM Card Interface

Standard ISO 7816, Class A (5 V)
 Protocol T=0 and T=1 protocol

Built-in Peripherals

Buzzer Monotone
 LEDs Red and Green

Physical Specifications

Dimensions 120.5 mm (L) x 72.0 mm (W) x 20.4 mm (H)
 Weight 150 g
 Color Black
 Cable Length 1.5 m

Operating Conditions

Temperature 0 - 50° C
 Humidity 10% - 90%

Certifications/Compliance

ISO 14443, ISO 7816, CE, FCC, RoHS

Device Driver Operating System Support

Windows® 2000, XP, Vista, 7, Server 2003, Server 2008, Server 2008 R2
 Linux

