



# RELAY BOX

Site Security, Access Control



# BF-50

Distributor Require/Welcome OEM, ODM  
CE/RoHS Compliance ISO 9001:2008 Certified

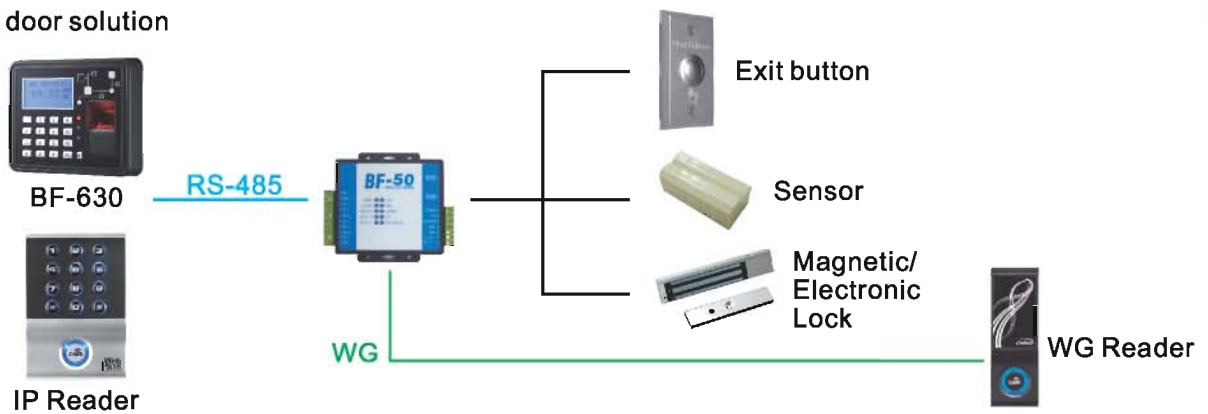


## Specification :

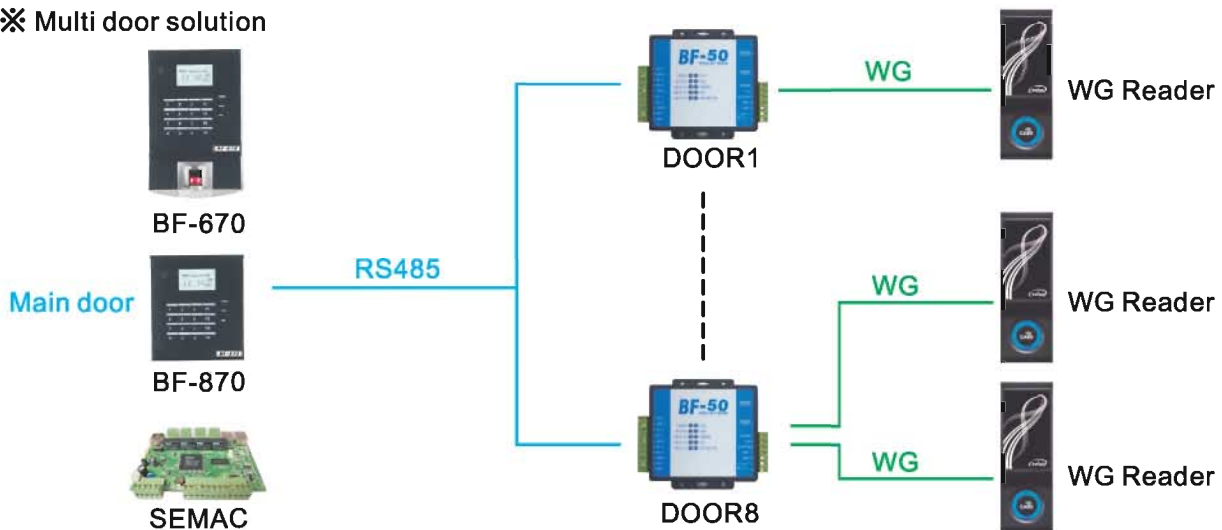
- ▶ Wiegand input: 2 (WG26/34 Auto detect)
- ▶ Communication Interface: RS-485
- ▶ Built-in Watch Dog.
- ▶ Door Relay (Relay D): 1 (3A / 30VDC)
- ▶ Alarm Relay: 2 (3A / 30VDC)
- ▶ Dry contact for exit Button: 1
- ▶ Dry contact for sensor self-detecting: 1
- ▶ Dry contact for reader detecting: 2
- ▶ Dry contact for buzzer control: 2
- ▶ Exit button can be operated when controller is disconnected under Emergency mode.
- ▶ Auto short or Cut off diagnostic thru Door Sensor.
- ▶ Buzzer: Enable/ disable
- ▶ LED Indicator for Reader : 2
- ▶ Maximum RS-485 distance: 1000 m
- ▶ Maximum distance for Wiegand: 80 m
- ▶ Door number setting: DIP Switch
- ▶ Rated Power: 9-24V DC
- ▶ Rated Current: 200 mA ~ 400 mA
- ▶ Operation Temperature: 0°C ~ 55°C
- ▶ Storage Temperature: -20°C ~ 70°C
- ▶ Storage Humidity: 0%~ 90%RH
- ▶ Dimension: 106 × 100 × 26.5 mm
- ▶ Weight: 140 g.

## Configurations :

### ※ Single door solution



### ※ Multi door solution



- ▶ BF-50 Relay box will be installed in light steel frame. If your main controller has been damaged, your door still can not be force opened.

Model	Application
BF-50	Compatible with controller for Single or Multi door application

## Product Type :

Welcome to **CHIYU**