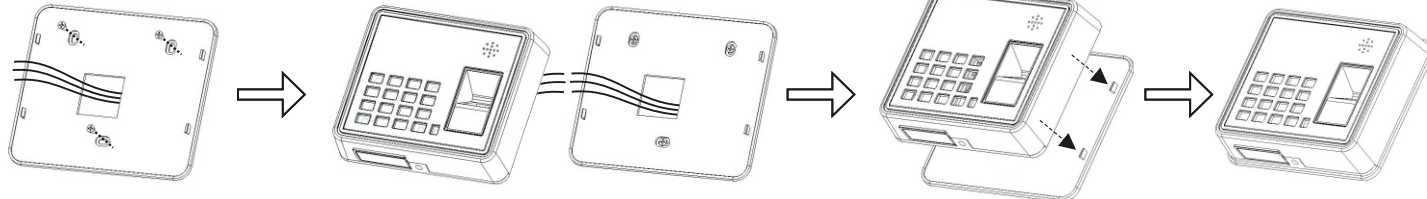


A. Package content

- Controller x1, Hanger x1, Warranty card x1, User manual x1
- Accessory kit x1 (Plastic screw x3, Fastening screw x3, 1N4004 x1, 9 Pin cable x1, 8 Pin x1, 3Pin x1, 2 Pin x1)

B. Installation

- Install step:



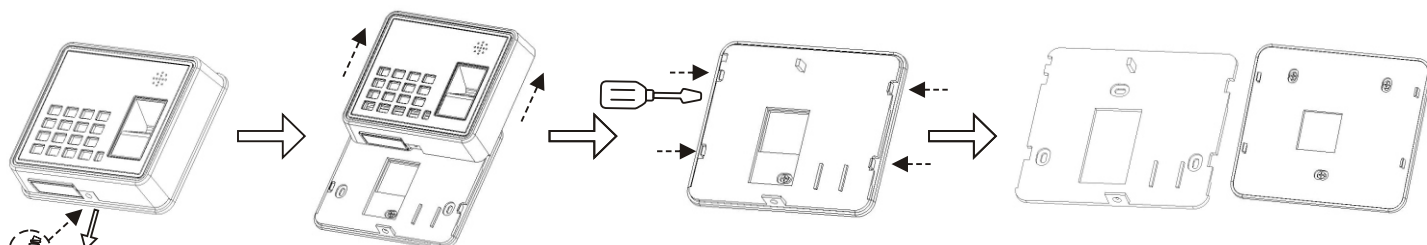
Install the hanger by using the screws which attached insides

Wire connection

Combine controller and hanger

Finish installed

- Uninstall step: (★Please follow below steps, otherwise it may cause the latch of backcover broken.)



Remove the screw

Slide up to make controller and back cover separately

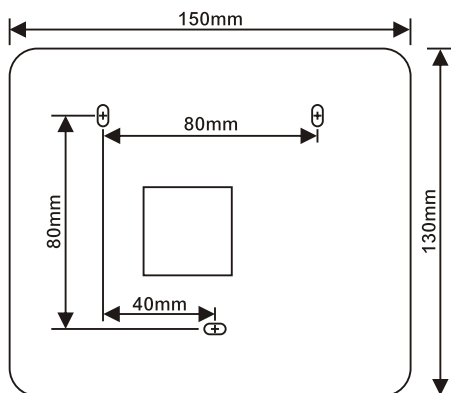
Use screw driver to prize up the latch both sides

Finish to uninstall back cover and hanger

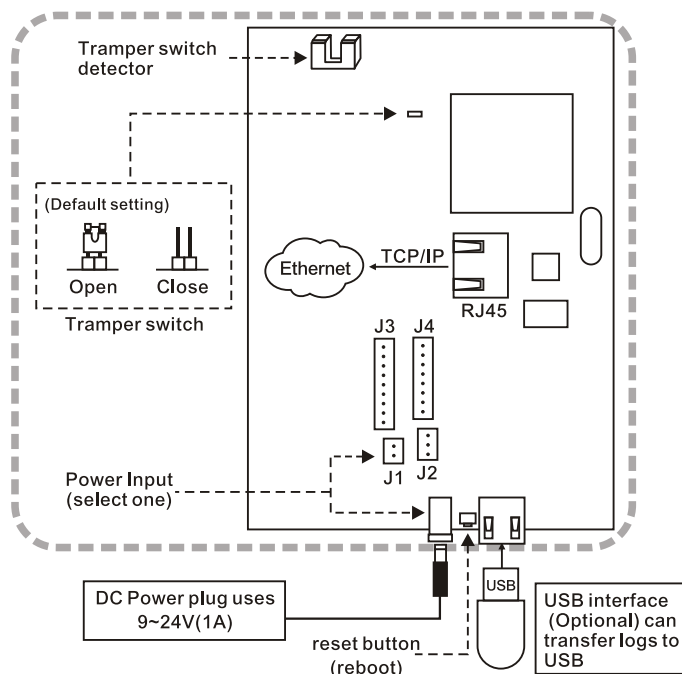
C. Specification

- Dimension: 145X125X33 (mm)
- Recommended: RS-485 please use RVSP shielded twisted pair cable
- Specifications:
 - Voltage range: 9 24VDC
 - Current Max.: 1A
 - Max distance for Wiegand is 80M
 - Max distance for RS-485 is 1000M

- Controller Back cover size



D. Controller backside introduction

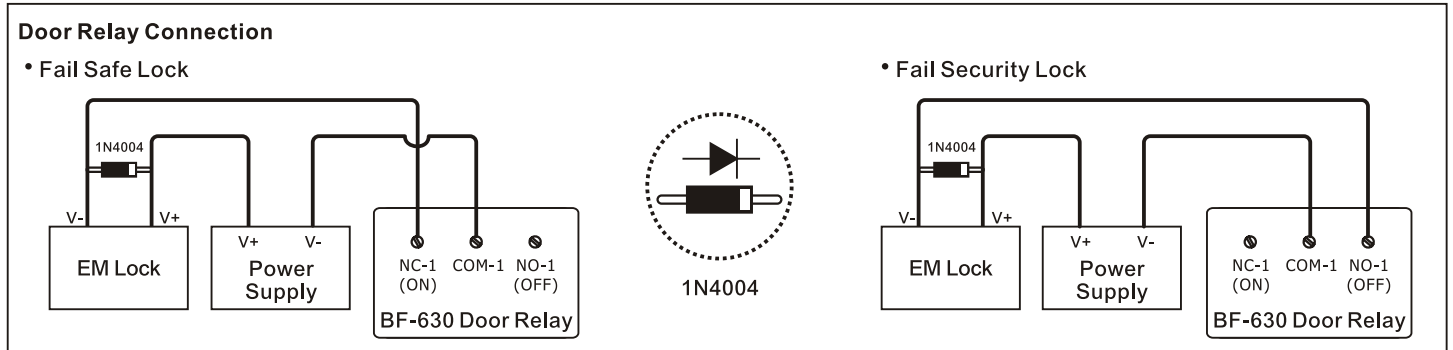
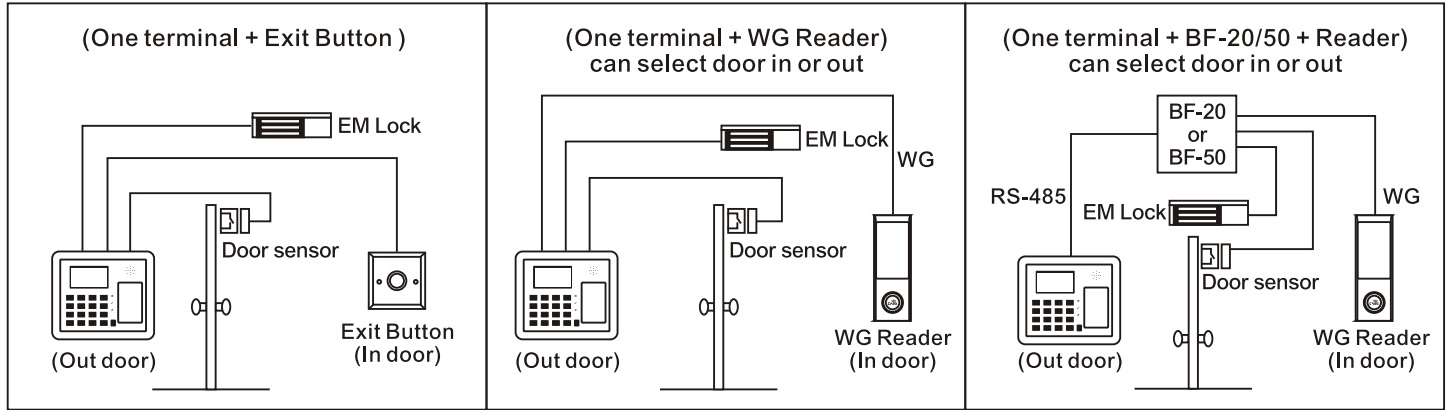


E. Enter administrator mode thru BF series hardware :

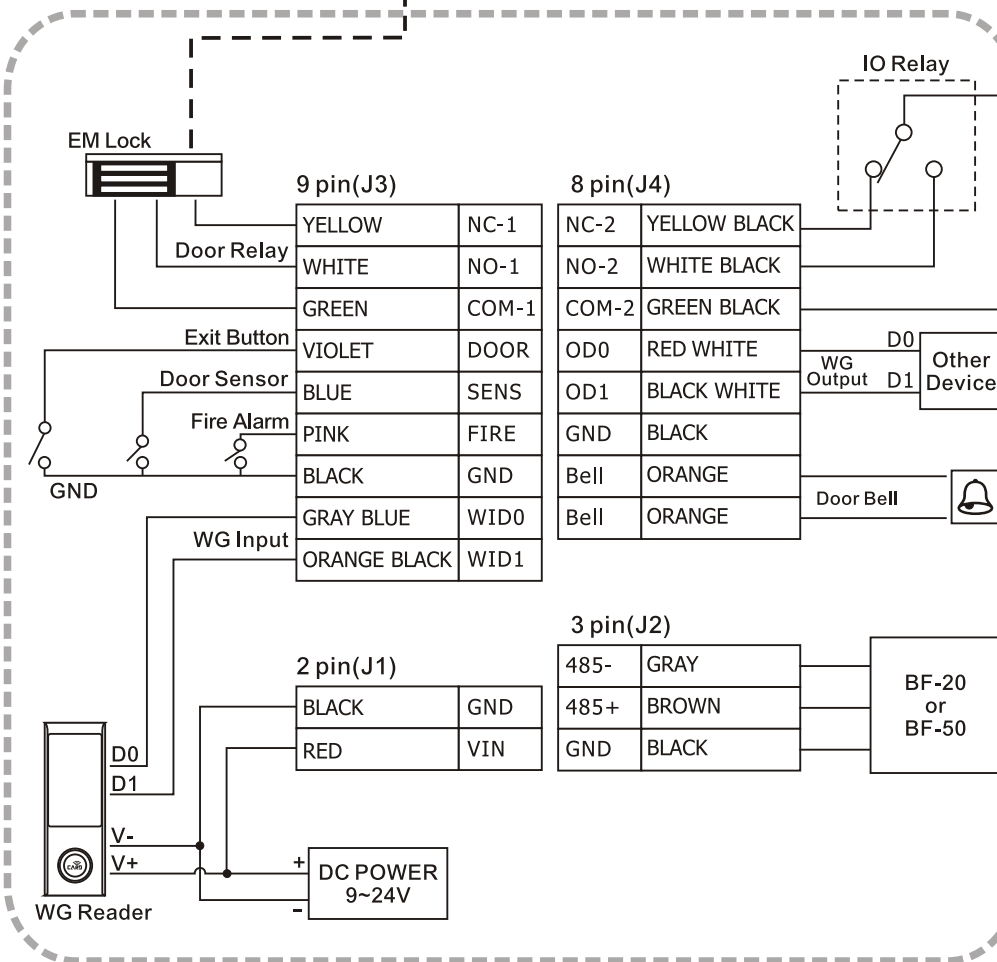
Steps as below shows:

1. Click "F1" twice, you will enter to setup page. Press "#" after enter the administrator password (default is 111111).
2. Yes → # , No → *
3. Add new user → Press 1 (user setting) → Press 1 for adding new user → Verify card or enter ID (Card number is 10 digits, if you do not use card, please enter employee or user ID) → Press # → Press # before register fingerprint → use the same step to register another fingerprint → Register password (if no need for password, please press *) → only register user, please press #. (LCD will back the setup page)
4. Delete User: enter to setup page, press 1 (user setting) → press 2 delete user(enter his card number), then press # to delete the user.
5. Enter IP: enter to setup page, press 2 (system setting) → press 4 and then enter IP → press # → enter subnet → press # and enter gateway → press # and system will reboot.
6. Setting time: enter to setup page, press 2 (system setting) → press 1 to set time → enter YY/MM/DD. (For example: 2010 /6/30, you have to enter 100630) → enter week and press #.

F. Structure



G. Wiring Diagram



H. Wires Description

9 pin(J3)		
NC-1	YELLOW	Door Relay
NO-1	WHITE	
COM-1	GREEN	
DOOR	VIOLET	Exit Button
SENS	BLUE	Door Sensor
FIRE	PINK	Fire Alarm
GND	BLACK	GND
WID0	GRAY BLUE	WG Input
WID1	ORANGE BLACK	

8 pin(J4)		
NC-2	YELLOW BLACK	IO Relay
NO-2	WHITE BLACK	
COM-2	GREEN BLACK	WG Output
OD0	RED WHITE	
OD1	BLACK WHITE	GND
GND	BLACK	
Bell	ORANGE	Door Bell
Bell	ORANGE	

3 pin(J2)		
485-	GRAY	RS-485 Contacts for BF-20 & BF-50
485+	BROWN	
GND	BLACK	

2 pin(J1)		
GND	BLACK	Power Contacts DC 9~24V(1A)
VIN	RED	

NOTICES

1. Door sensor detection function should be enabled from Web ◦
(Door setup→Door Properties→Door Sensor Mode→Normal)
2. For WG connection GND of WG device and terminal should be shorted ◦