

BF-630 Series User's Manual

2008.01.28

Table of Contents

1.	About BF-630 SERIES	3
2.	Features	3
2.1.	Characteristics	3
2.2.	Support functions.....	4
2.2.1.	User management.....	4
2.2.2.	System management.....	4
2.2.3.	Door mode.....	5
2.2.4.	Log	5
2.2.5.	Authentication	5
2.2.6.	Real time event.....	5
2.2.7.	Auxiliary function	5
3.	Operation window.....	6
4.	Administrator Menu.....	7
4.1.	User.....	8
4.1.1.	Add User	8
4.1.2.	Delet User : Delet One User.....	13
4.1.3.	Active User: Set user's verify type.....	14
4.1.4.	Deactive User: Closed user's verify type	14
4.2.	Setting.....	15
4.2.1.	Data & Time: Set time 、 date and week of BF-630.....	15
4.2.2.	Security Level: Set system security level.....	15
4.2.3.	Administrator	16
4.2.4.	IP Config: Set IP data of BF-630.....	19
4.3.	Reset	20
4.3.1.	Reset User: Delete all users.....	20
4.3.2.	Reset Logs: Delete all logs.....	21
4.3.3.	IP Config: Reset IP.....	21
4.3.4.	Reset Group: Del Group.....	22
4.4.	Misc.	22
4.4.1.	User & Log.....	22
4.4.2.	BF20/485 Reade.....	23
4.4.3.	Set TM Card.....	24
5.	User's Menu.....	25
5.1.	For fingerprint verify user	25
5.2.	For password verify user (1:1 verify)	26

5.3.	For card verify user (1: N verify).....	27
5.4.	For fingerprint + password verify user	28
5.5.	Fingerprint or Password verify user.....	29
6.	Specifications	29
6.1.	Module Features	29
6.2.	Power Supply.....	29
6.2.1.	Voltage	29
6.2.2.	Current	29
6.3.	Environment	29
6.3.1.	Temperature and humidity	29
6.3.2.	Immunity to electro static discharge	29
6.4.	Communication	29
6.5.	Drivers	30
6.6.	Capacity	30
6.7.	Log entry memory	30
6.8.	Dimensions	30
6.9.	Weight.....	30
6.10.	Authentication time	30
6.11.	False Rejection Rate	30
6.12.	False Acceptance Rate	30
6.13.	Fingerprint data size	30
6.14.	Input.....	30
6.15.	Display.....	30
7.	Postscript.....	31
7.1.	Note	31
7.2.	External connector	31
7.3.	Connection example	32

1. About BF-630 SERIES

BF-630 Series is developed to manage entrance security, work place time and attendance, over-work time verification and other situation requiring the presence of the authorized personnel. Our fingerprint ID technology bypasses problems of existing security solutions such as security cards and keypad locks. BF-630 Series supports various I/O protocols. Within 1 Card Reader, 128 X 64 pixel LCD screen, 10 push buttons, 6 function keys, 1 bell key, and 1 buzzer. These equipments make BF-630 SERIES user-friendly.

2. Features

2.1. Characteristics

- **Fingerprint identification enhances security**

Existing security measures such as security cards system and keypad locks are prone to breach by unauthorized persons through card-duplication or disclosure of set security code. Fingerprint ID system can truly restrict security access only to those authorized persons.

- **Reliable fingerprint ID algorithm**

Our in-company developed fingerprint ID algorithm has minimized False Rejection Rate and False Acceptance Rate.

- **Entrance security, time and attendance, over-time management and other applications**

Fingerprint ID system allows for entrance security, work place time and attendance, over-time work. Also, situations that require the presence of the authorized persons at a secured point can take advantage of our fingerprint ID system.

- **Special function keys may be configured to time and attendance and entrance access management**

4 programmable function keys can be used to manage time and attendance. One BF-660X/BF-670X can be adapted to manage many different kinds of work involving site security control and time and attendance.

- **Low cost of system maintenance**

Existing IC cards require new issuance of cards with addition of new users and lost of cards. This becomes unnecessary with fingerprint ID system. System maintenance can be lowered to negligible levels when compared to other solutions.

● **Use of stand-alone modules and working in conjunction with an ACU**

BF-660X/BF-670X entrance control system may be used as stand-alone units to control entrance traffic or in multiple module configurations Utilizing Weigand/RS232/RS485 protocol to contain with an ACU. Also, direct connection to a PC is possible via TCP/IP or RS232/RS485 protocol when software library bundled. Because BF-660X/BF-670X content RTC and log management capabilities (up to 65,000 records), entrance security and other event management are possible without an ACU.

Besides, BF-660X/BF-670X involves clock on time and record ability (65000 logs at most), so it can be used to entrance security or other stand-alone modules.

● **Expandable and Convenience**

BF-660X/BF-670X has Chinese Http Server inside, and that makes you revise the setting on line, download data, manage employees and maintain the system conveniently. It also reserved sixteen I/O expand points for integrated with other system.

2.2. Support functions

2.2.1. User management

- Register a user, provide 4 type of register (1.Fingerprint 2.Password 3.RFID 4.Fingerprint+Password)
- Support 128 designations and departments for set
- Manager can depend on the real supply situation for the limit period of employee one by one
- Manage the entrance security and time by group
- The status of employee can activate or deactivate
- Supply employee's data, you can check every employee's number, name, status and the way of identification.
- Delete a user or all users

2.2.2. System management

- Chinese Http server inside can use IE to revise the data and manage user on line
- System setting has two security level includes account and password to avoid the setting status revised by a bad intention
- Set terminal ID, title on LCD, description, fingerprint security level, maintenance time, card ID display format, master/slave
- Check the slave data in slave list
- Set communication status on the internet, such as IP Address, Gateway, DNS, Port Number, Host Name
- System clock setup: you can setup clock immediately by your hand or connect to the time server to revise everyday

- Support 40 IN/OUT trigger setup
- Support 16 ring setup
- Backup and restore the user's data directly
- Import all user's list directly on the internet

2.2.3. Door mode

- 255 time set, 255 time zone setup, 200 group list, 100 holiday setup
- Expand 16 reader to process 8 doors' security, time and attendance at most
- You can aimed at some entrance/exit setup location, relay trigger, lock release time zone, exit button time zone, anti pass back level, lock release time and door open delay time by connect to door lock controller or elevator controller
- You can define some entrance/exit, floor, parking area and attendance control by system
- Door status on line
- Configure and read door mode (normal/ forced open/ forced close) by real situation

2.2.4. Log

- Access log: user or employee can query their access log by any computer
- Query by user ID, terminal ID, department, function key and time zone
- Query daily first in/last out for separate user
- Export the IN/OUT log (TXT or XLS) directly on line
- You can use software program to download the log instantly

2.2.5. Authentication

- BF-660X/BF-670X supply 5 authentication ways (1. fingerprint 2. RFID 3. Password 4. Fingerprint+ password 5. fingerprint or password)
- Door access setup finger+ pin time zone, card+ pin time zone

2.2.6. Real time event

- Display user I.D. Name on LCD at authentication time
- Display fingerprint status grade on LCD at authentication time and supply to fingerprint file

2.2.7. Auxiliary function

- Exit button
- Relay out (lock driver)

3. Operation window

LCD status	Setting	Description
FRI Jan-25-08 10:10 GMT+00		Operation window
Present Manager	F1, F1	Manager login
Present finger Scanning...	#	1:N Verification
FRI Jan-25-08 10:10 GMT+00 User Denied	ID + #	Input unregistered ID
Present finger Scanning...	ID + #	1 : 1 Verification fingerprint
User Password *****	ID + #	1 : 1 Verification password
Name: Eric ID: 1164752000 08:30	Place Card Directly	Verify success
User Denied		Illegal card

● Function key description

0 ~ 9	Number key
#	Confirm
*	Cancel/ Page up
F1	Enter Administrator Mode
F2	No use
F3	Delete=Backspace
F4	No use
bell	bell

4. Administrator Menu

Administrator menu allows new user registration and deletion, and system configuration.

Press “F1” twice to enter

● Enter Administrator Mode

LCD status	Key Setting & Description
FRI Jan-25-08 10:10 GMT+00	Operation window F1, F1
Present Manager	Enter password 111111, #
1. User 2. Setting 3. Reset 4. Misc.	Correct
Present Manager ***** Password Error	Error password

● Function List

<p><u>1. User</u></p> <p><u>1. Add User</u></p> <p><u>2. Delet User</u> (Del One User)</p> <p><u>3. Active User</u></p> <p><u>4. Deactive User</u></p>	<p><u>2. Setting</u></p> <p><u>1. Data & Time</u></p> <p><u>2. Security Level</u></p> <p><u>3. Administrator</u></p> <p><u>1. Login P/W</u></p> <p><u>2. Set Manager</u></p> <p><u>1. Add Manager</u></p> <p><u>2. Del Manager</u></p> <p><u>4. IP Config</u></p>
<p><u>3. Reset</u></p> <p><u>1. Reset User</u> (Del All User)</p> <p><u>2. Reset Logs</u></p> <p><u>3. IP Config</u> (Reset IP Congig)</p> <p><u>4. Reset Group</u> (Del GP/TZ/HD)</p>	<p><u>4. Misc.</u></p> <p><u>1. User & Log</u></p> <p><u>2. BF20/485 Reade</u></p> <p><u>3. Set TM Card</u></p> <p><u>1. Init TM Card</u></p> <p><u>2. Write TM Card</u></p>

4.1. User

4.1.1. Add User

4.1.1.1. Fingerprint verify user (1 or 2 templates)

	LCD status	Key Setting	Description
1	FRI Jan-25-08 10:10 GMT+00	F1, F1	Operation window
2	Present Manager	111111, #	Enter 6 digit password default value is 111111
3	1. User 2. Setting 3. Reset 4. Misc.	1	
4	1. Add User 2. Delet User 3. Active User 4. Deactive User	1	
5	Present card... Or input id:	*****, #	Press user ID No. EX: 666666
5-1	Reg already Modify user ? YES(#)/NO(*)	# *	Go to 6 Go to 4
6	Reg finger? YES(#)/NO(*)	#	
7	Present finger Scanning...		Place finger on the sensor
8	Processing....		wait
9	FP 73		
9-1	Processing... Reg Failed		Reg Failed Back 4
10	Reg other finger? YES(#)/NO(*)	#	If no use *, go to14
11	Present finger Scanning...		Place anther finger on the sensor
12	Processing....		
13	FP 85		
13-1	Processing... Reg Failed		Reg Failed Back 4
14	Reg password? YES(#)/NO(*)	*	
16	Write Mifare? YES(#)/NO(*)	*	
17	Write Mifare? YES(#)/NO(*) Reg Success		Setting Success

4.1.1.2. Password verify user

	LCD status	Key Setting	Description
1	FRI Jan-25-08 10:10 GMT+00	F1, F1	Operation window
2	Present Manager	111111, #	Enter 6 digit password default value is 111111
3	1. User 2. Setting 3. Reset 4. Misc.	1	
4	1. Add User 2. Delet User 3. Active User 4. Deactive User	1	
5	Present card... Or input id:	*****, #	Press user ID No.
5-1	Reg already Modify user ? YES(#)/NO(*)	# *	Go to 6 Go to 4
6	Reg finger? YES(#)/NO(*)	*	
7	Reg password? YES(#)/NO(*)	#	
8	User password	*****, #	Press user password no. Enter 6 digit password
9	User password ***** Reg Success		Setting Success

4.1.1.3. Card verify user

	LCD status	Key Setting	Description
1	FRI Jan-25-08 10:10 GMT+00	F1, F1	Operation window
2	Present Manager	Enter password 111111, #	Enter 6 digit password default value is 111111
3	1. User 2. Setting 3. Reset 4. Misc.	1	
4	1. Add User 2. Delet User 3. Active User 4. Deactive User	1	
5	Present card... Or input id:		Place card directly
5-1	Reg already Modify user ? YES(#)/NO(*)	# *	Go to 6 Go to 4
6	Present card... Or input id: 0001968461		
7	Reg finger? YES(#)/NO(*)	*	
8	Reg password? YES(#)/NO(*)	*	
9	Only Reg User? YES(#)/NO(*)	#	
10	Only Reg User? YES(#)/NO(*) Reg Success		Setting Success

4.1.1.4. Fingerprint + Password verify user

	LCD status	Key Setting	Description
1	FRI Jan-25-08 10:10 GMT+00	F1, F1	Operation window
2	Present Manager	Enter password 111111, #	Enter 6 digit password default value is 111111
3	1. User 2. Setting 3. Reset 4. Misc.	1	
4	1. Add User 2. Delet User 3. Active User 4. Deactive User	1	
5	Present card... Or input id:	*****, #	Press user ID No.
5-1	Reg already Modify user ? YES(#)/NO(*)	# *	Go to 6 Go to 4
6	Reg finger? YES(#)/NO(*)	#	
7	Present finger Scanning...		Place finger on the sensor
8	Processing....		wait
9	FP 73		
9-1	Processing... Reg Failed		Reg Failed Back 4
10	Reg other finger? YES(#)/NO(*)	#	If no use *, go to14 Setting Password verify user
11	Present finger Scanning...		Place anther finger on the sensor
12	Processing....		
13	FP 85		
13-1	Processing... Reg Failed		Reg Failed Back 4
14	Reg password? YES(#)/NO(*)	#	
15	User password	*****, #	Press user password no. Enter 6 digit password
16	Write Mifare? YES(#)/NO(*)	*	
17	Write Mifare? YES(#)/NO(*) Reg Success		Setting Success

4.1.1.5. Card + Fingerprint + Password verify user

	LCD status	Key Setting	Description
1	FRI Jan-25-08 10:10 GMT+00	F1, F1	Operation window
2	Present Manager	Enter password 111111, #	Enter 6 digit password default value is 111111
3	1. User 2. Setting 3. Reset 4. Misc.	1	
4	1. Add User 2. Delet User 3. Active User 4. Deactive User	1	
5	Present card... Or input id:		Place card directly
5-1	Reg already Modify user ? YES(#)/NO(*)	# *	Go to 6 Go to 4
6	Present card... Or input id: 0001968461		
7	Reg finger? YES(#)/NO(*)	#	
8	Present finger Scanning...		Place finger on the sensor
9	Processing....		wait
10	FP 73		
10-1	Processing... Reg Failed		Reg Failed Back 4
11	Reg other finger? YES(#)/NO(*)	#	If no use *, go to14 Setting Password verify user
12	Present finger Scanning...		Place anther finger on the sensor
13	Processing....		
14	FP 85		
14-1	Processing... Reg Failed		Reg Failed Back 4
15	Reg password? YES(#)/NO(*)	#	
16	User password	****#, #	Press user password no. Enter 6 digit password
17	Write Mifare? YES(#)/NO(*)		If No use *
18	Write Mifare? YES(#)/NO(*) Reg Success		Setting Success

4.1.2. Delet User : Delet One User

	LCD status	Key Setting	Description
1	FRI Jan-25-08 10:10 GMT+00	F1, F1	Operation window
2	Present Manager	Enter password 111111, #	Enter 6 digit password default value is 111111
3	1. User 2. Setting 3. Reset 4. Misc.	1	
4	1. Add User 2. Delet User 3. Active User 4. Deactive User	2	
5	Present card... Or input id:	****#, #	Press user ID No. Or Place card directly
6	Present card... Or input id: ***** Del Success		
	Present card... Or input id: UnReged User		UnReged User

4.1.3. Active User: Set user's verify type

	LCD status	Key Setting	Description
1	FRI Jan-25-08 10:10 GMT+00	F1, F1	Operation window
2	Present Manager	Enter password 111111, #	Enter 6 digit password default value is 111111
3	1. User 2. Setting 3. Reset 4. Misc.	1	
4	1. Add User 2. Delet User 3. Active User 4. Deactive User	3	
5	Present card... Or input id:	****#, #	Press user ID No. Or Place card directly
6	Status: Active		
7	Present card... Or input id: UnReged User		UnReged User

4.1.4. Deactive User: Closed user's verify type

	LCD status	Key Setting	Description
1	FRI Jan-25-08 10:10 GMT+00	F1, F1	Operation window
2	Present Manager	Enter password 111111, #	Enter 6 digit password default value is 111111
3	1. User 2. Setting 3. Reset 4. Misc.	1	
4	1. Add User 2. Delet User 3. Active User 4. Deactive User	4	
5	Present card... Or input id:	****#, #	Press user ID No. Or Place card directly
6	Status: Deactive		
7	Present card... Or input id: UnReged User		UnReged User

4.2.3. Administrator

4.2.3.1. Login P/W: Change system password

	LCD status	Key Setting	Description
1	FRI Jan-25-08 10:10 GMT+00	F1, F1	Operation window
2	Present Manager	Enter password 111111, #	Enter 6 digit password default value is 111111
3	1. User 2. Setting 3. Reset 4. Misc.	2	
4	1. Data & Time 2. Security Level 3. Administrator 4. IP Config	3	
5	1. Login P/W 2. Set Manager	1	
6	Input New P/W	****#, #	Press New P/W****
7	Input New P/W Again	****#, #	Enter Again
8	Input New P/W Again **** P/W Set Success		Match
9	Input New P/W Again **** Input P/W Error		Mismatch

4.2.3.2. Set Manager

4.2.3.2.1. Add Manager

	LCD status	Key Setting	Description
1	FRI Jan-25-08 10:10 GMT+00	F1, F1	Operation window
2	Present Manager	Enter password 111111, #	Enter 6 digit password default value is 111111
3	1. User 2. Setting 3. Reset 4. Misc.	2	
4	1. Data & Time 2. Security Level 3. Administrator 4. IP Config	3	
5	1. Login P/W 2. Set Manager	2	
6	1. Add Manager 2. Del Manager	1	
7	Present card... Or input id:		Enter User ID No.
8	Present card... Or input id: ***** Reg Success		Reg Success
8-1	Present card... Or input id: ***** UnReged User		UnReged User

4.2.3.2.2. Del Manager

	LCD status	Key Setting	Description
1	FRI Jan-25-08 10:10 GMT+00	F1, F1	Operation window
2	Present Manager	Enter password 111111, #	Enter 6 digit password default value is 111111
3	1. User 2. Setting 3. Reset 4. Misc.	2	
4	1. Data & Time 2. Security Level 3. Administrator 4. IP Config	3	
5	1. Login P/W 2. Set Manager	2	
6	1. Add Manager 2. Del Manager	2	
6	Present card... Or input id:		Enter User ID No.
7	Present card... Or input id: ***** Del Success		
7-1	Present card... Or input id: ***** UnReged User		UnReged User

4.2.4. IP Config: Set IP data of BF-630

	LCD status	Key Setting	Description
1	FRI Jan-25-08 10:10 GMT+00	F1, F1	Operation window
2	Present Manager	Enter password 111111, #	Enter 6 digit password default value is 111111
3	1. User 2. Setting 3. Reset 4. Misc.	2	
4	1. Data & Time 2. Security Level 3. Administrator 4. IP Config	4	
5	IP:192168000072 SM:255255255000 GW:192168000001 IP:		Enter IP 、 Subnet mask 、 Gateway
<p>Note :</p> <p>The format of IP 、 subnet mask and gateway are as follow</p> <p>If you want to set IP as 192.168.0.12 then enter 192168000012</p> <p>If you want to set subnet mask as 255.255.255.0 then enter 255255255000</p> <p>If you want to set gateway as 192.168.0.1 then enter 192168000001</p>			

4.3. Reset

4.3.1. Reset User: Delete all users

	LCD status	Key Setting	Description
1	FRI Jan-25-08 10:10 GMT+00	F1, F1	Operation window
2	Present Manager	Enter password 111111, #	Enter 6 digit password default value is 111111
3	1. User 2. Setting 3. Reset 4. Misc.	3	
4	1. Reset User 2. Reset Logs 3. IP Config 4. Reset Group	1	
5	Del All User Are You Sure ? YES(#)/NO(*)	#	
6	Del All User Are You Sure ? YES(#)/NO(*) Deleting...		
7	Del All User Are You Sure ? YES(#)/NO(*) Del Success		

4.3.2. Reset Logs: Delete all logs

	LCD status	Key Setting	Description
1	FRI Jan-25-08 10:10 GMT+00	F1, F1	Operation window
2	Present Manager	Enter password 111111, #	Enter 6 digit password default value is 111111
3	1. User 2. Setting 3. Reset 4. Misc.	3	
4	1. Reset User 2. Reset Logs 3. IP Config 4. Reset Group	2	
5	Del All Log Are You Sure ? YES(#)/NO(*)	#	
6	Del All Log Are You Sure ? YES(#)/NO(*) Deleting...		
7	Del All Log Are You Sure ? YES(#)/NO(*) Del Success		

4.3.3. IP Config: Reset IP

	LCD status	Key Setting	Description
1	FRI Jan-25-08 10:10 GMT+00	F1, F1	Operation window
2	Present Manager	Enter password 111111, #	Enter 6 digit password default value is 111111
3	1. User 2. Setting 3. Reset 4. Misc.	3	
4	1. Reset User 2. Reset Logs 3. IP Config 4. Reset Group	3	
5	Reset IP Config Are You Sure ? YES(#)/NO(*)	#	
6	Please Wait...		
7	FW version 0.01.00 Nov 22 2007		

4.3.4. Reset Group: Del Group

	LCD status	Key Setting	Description
1	FRI Jan-25-08 10:10 GMT+00	F1, F1	Operation window
2	Present Manager	Enter password 111111, #	Enter 6 digit password default value is 111111
3	1. User 2. Setting 3. Reset 4. Misc.	3	
4	1. Reset User 2. Reset Logs 3. IP Config 4. Reset Group	4	
5	Del GP/TZ/HD Are You Sure ? YES(#)/NO(*)	#	
6	Del GP/TZ/HD Are You Sure ? YES(#)/NO(*) Del Success		

4.4. Misc.

4.4.1. User & Log

	LCD status	Key Setting	Description
1	FRI Jan-25-08 10:10 GMT+00	F1, F1	Operation window
2	Present Manager	Enter password 111111, #	Enter 6 digit password default value is 111111
3	1. User 2. Setting 3. Reset 4. Misc.	4	
4	1. User & Log 2. BF20/485 Reade 3. Set TM Card	1	
5	User : 00000 LOG : 00000		

4.4.2. BF20/485 Reade

	LCD status	Key Setting	Description
1	FRI Jan-25-08 10:10 GMT+00	F1, F1	Operation window
2	Present Manager	Enter password 111111, #	Enter 6 digit password default value is 111111
3	1. User 2. Setting 3. Reset 4. Misc.	4	
4	1. User & Log 2. BF20/485 Reade 3. Set TM Card	2	
5	Entyr:-xxxxxxx Exit:-xxxxxxx BF20:xxxxxxx		U: represent connect normal X: represent no connect

4.4.3. Set TM Card

4.4.3.1. Init TM Card

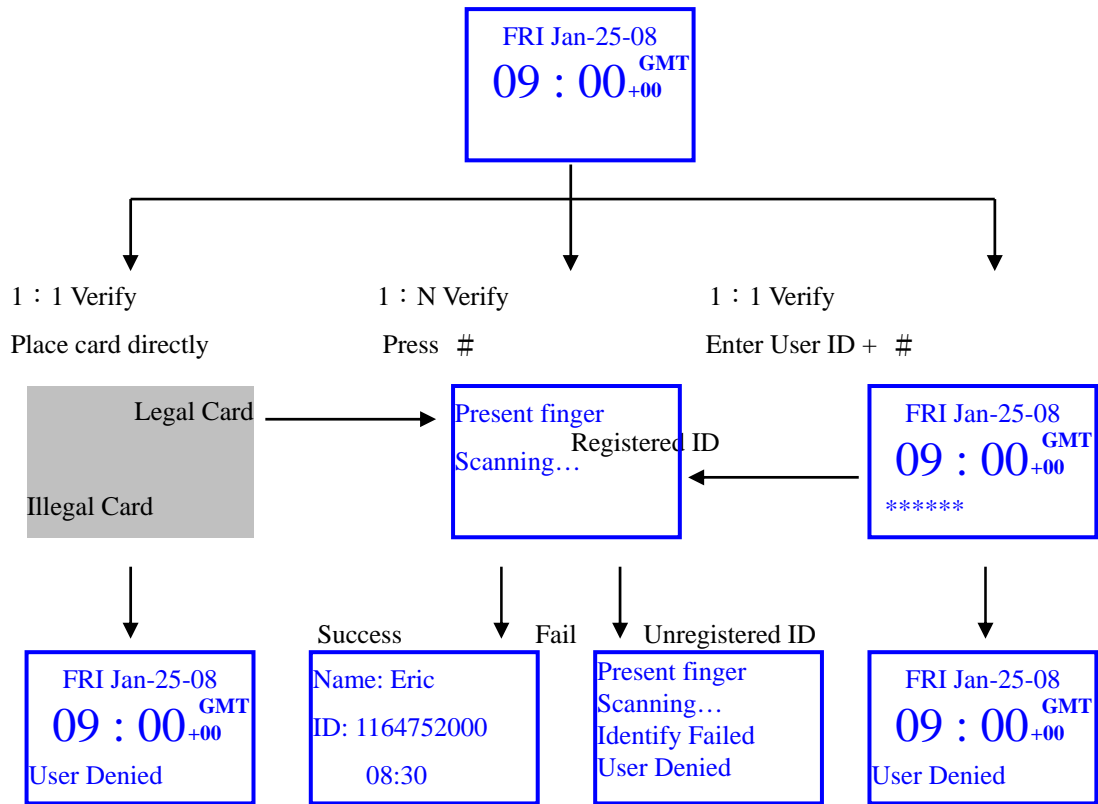
	LCD status	Key Setting	Description
1	FRI Jan-25-08 10:10 GMT+00	F1, F1	Operation window
2	Present Manager	Enter password 111111, #	Enter 6 digit password default value is 111111
3	1. User 2. Setting 3. Reset 4. Misc.	4	
4	1. User & Log 2. BF20/485 Reade 3. Set TM Card	3	
5	1. Init TM Card 2. Write TM Card	1	
6	Present Card. Push# Init Card	#	
7	Init Success Init Other Card YES(#)/NO(*)	*	

4.4.3.2. Write TM Card

	LCD status	Key Setting	Description
1	FRI Jan-25-08 10:10 GMT+00	F1, F1	Operation window
2	Present Manager	Enter password 111111, #	Enter 6 digit password default value is 111111
3	1. User 2. Setting 3. Reset 4. Misc.	3	
4	1. User & Log 2. BF20/485 Reade 3. Set TM Card	3	
5	1. Init TM Card 2. Write TM Card	2	
6	Input Card IP	#	
7	Input Card IP ***** Place TM Card	After Input ID Press #	
8	Write Success Write Other Card YES(#)/NO(*)	*	

5. User's Menu

5.1. For fingerprint verify user



Operation description

Method :

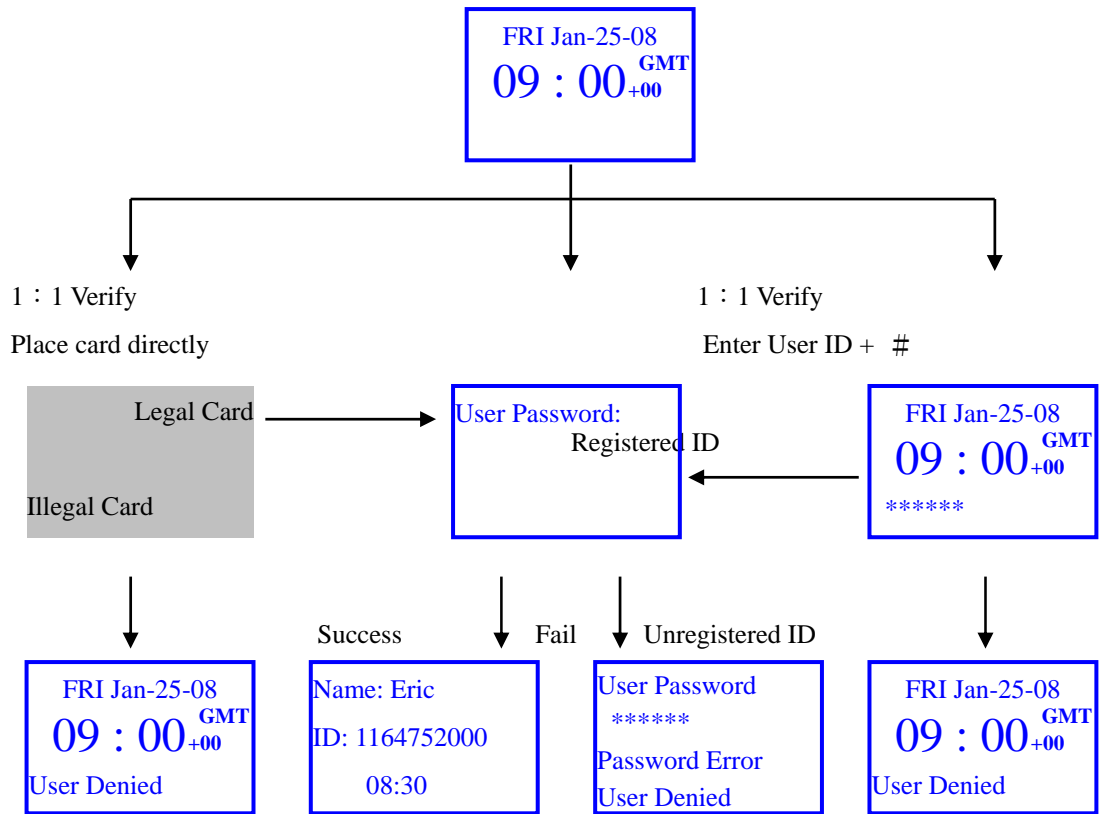
less than 1000 users

Place finger for verify

Note :

1. If you use function key please press function Key first
2. If you want to show name on LCD then you must register Name to BF-660X/BF-670X by software

5.2. For password verify user (1:1 verify)

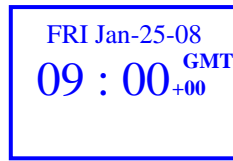


Operation description

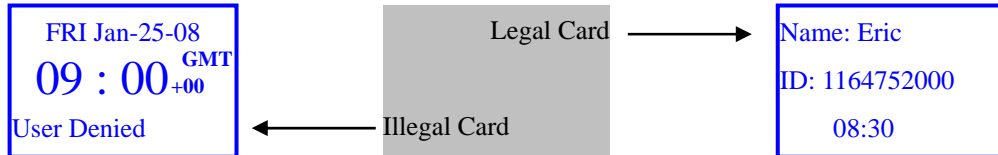
1 : 1 verify , max. 5000 users

Method A	Method B
1. Enter User ID, #	Place sensor card on the coil directly
2. Place finger for verify	Enter password 6~10 digit
3. Enter Password No., #	Press #
Note :	
1. If you use function key please press function Key first	
2. If you want to show name on LCD then you must register Name to BF-660X/BF-670X by software	

5.3. For card verify user (1: N verify)



1 : N verify Place sensor card on the coil directly



Operation description

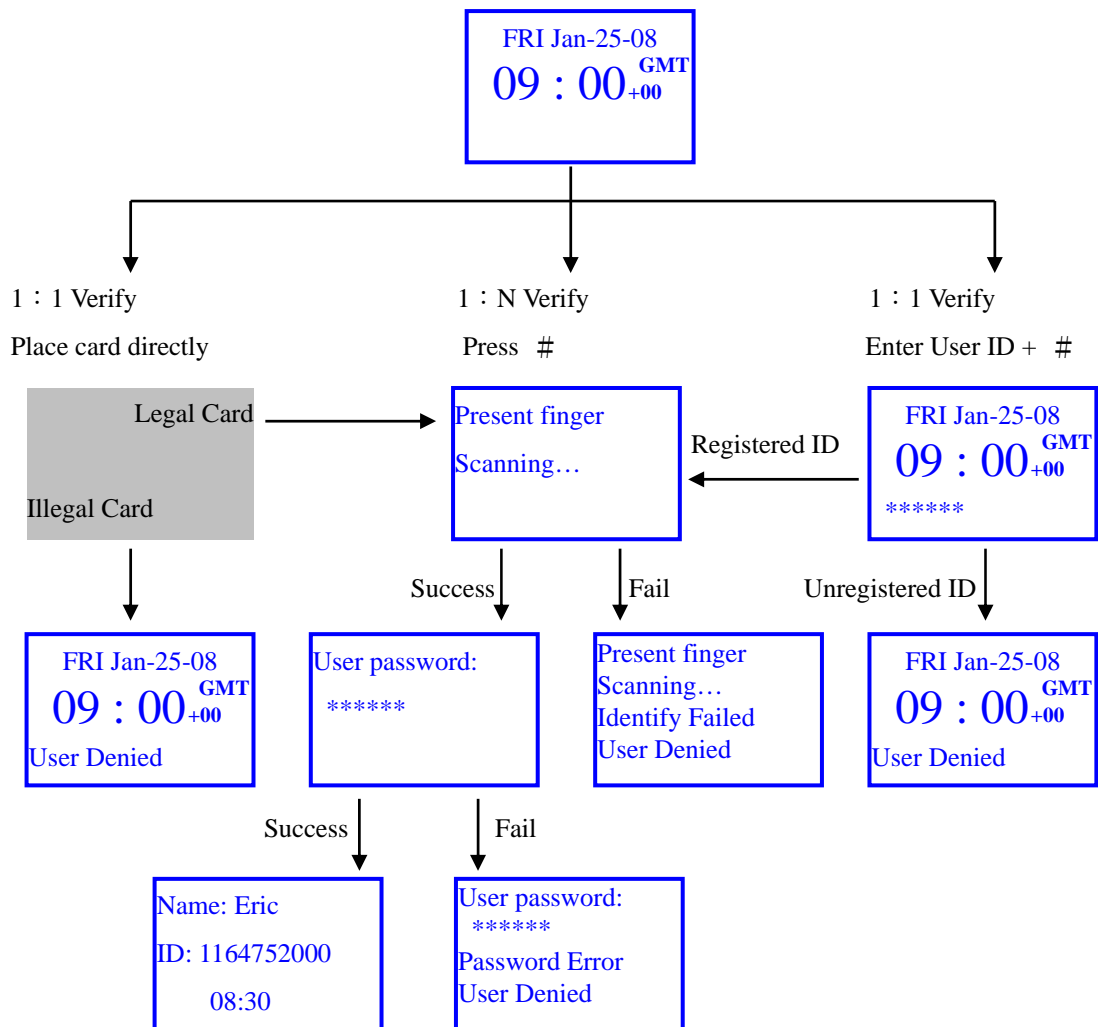
1 : N verify , max. 5000 users

Method : Place sensor card on the coil directly

Note :

1. If you use function key please press function Key first
2. If you want to show name on LCD then you must register Name to BF-660X/BF-670X by software

5.4. For fingerprint + password verify user



Operation description

Method A	Method B	Method C
1 : 1 verify , max. 5000 users	1 : N verify , less than 100 users	1 : 1 verify , max. 5000 users
1. Place sensor card on the coil directly 2. Place finger for verify 3. Enter User password 6~10 digit, #	1. Press # 2. Place finger for verify 3. Enter User password 6~10 digit, #	Enter User ID No., # Place finger for verify Enter User password 6~10 digit, #
Note : 1. If you use function key please press function Key first 2. If you want to show name on LCD then you must register Name to BF-660X/BF-670X by software		

5.5. Fingerprint or Password verify user

Operation is same as 5.1 、5.2 and the priority is Password > Fingerprint (for sensor card 1 : 1 verify).

Enter “ID + #”will run fingerprint verify.

6. Specifications

6.1. Module Features

- Main board
- Key & LCD board
- Finger sensor module
- Build-In Card Reader

6.2. Power Supply

6.2.1. Voltage

- +9V to +30V DC

6.2.2. Current

- Current power consumption: 300Ma, 12V
- Maximum power consumption: 500Ma, 12V

6.3. Environment

6.3.1. Temperature and humidity

- Operating temperature: 0℃ to 55℃
- Storage temperature: -20℃ to 85℃
- Operating humidity: 0% to 95%
- Storage humidity: 0% to 95%

6.3.2. Immunity to electro static discharge

- Serial port 15kv ESD
- Ethernet port 1.5kv

6.4. Communication

- 1 RJ-45 port(10/100M)
- 1 RS-232 port
- 1 RS-485 port
- Meet RS232C 、RS485 specifications

6.5. Drivers

- 2 Relay Out (COM, NO, NC)

6.6. Capacity

- 950 Persons (1900 Templates), 2 Templates per User

6.7. Log entry memory

- 32768 Transactions

6.8. Dimensions

- 145 (w) X 125 (H) X 33 (D) mm

6.9. Weight

- 330 g.

6.10. Authentication time

- Average: shorter than 2 second.

6.11. False Rejection Rate

- Less than 0.01%

6.12. False Acceptance Rate

- Less than 0.001%

6.13. Fingerprint data size

- 352 Byte

6.14. Input

- 10 number keys + 6 function keys + 1 bell

6.15. Display

- 1 Buzzer
- 1 LCD: 128 X 64 pixels, 2LED

7. Postscript

7.1. Note

• The first thing when you install BF-630

- Please change the system password first. BF-630's password is fixed at "111111" initially. It makes a security problem.

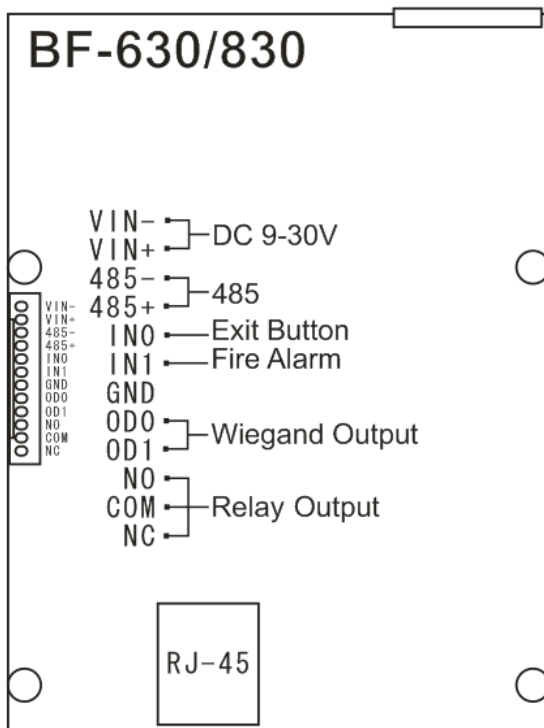
• Please do these when you have the problem for verification.

- Cleaning your finger first, then do it again.
- Don't move your finger when you put your finger on the BF-630's sensor.

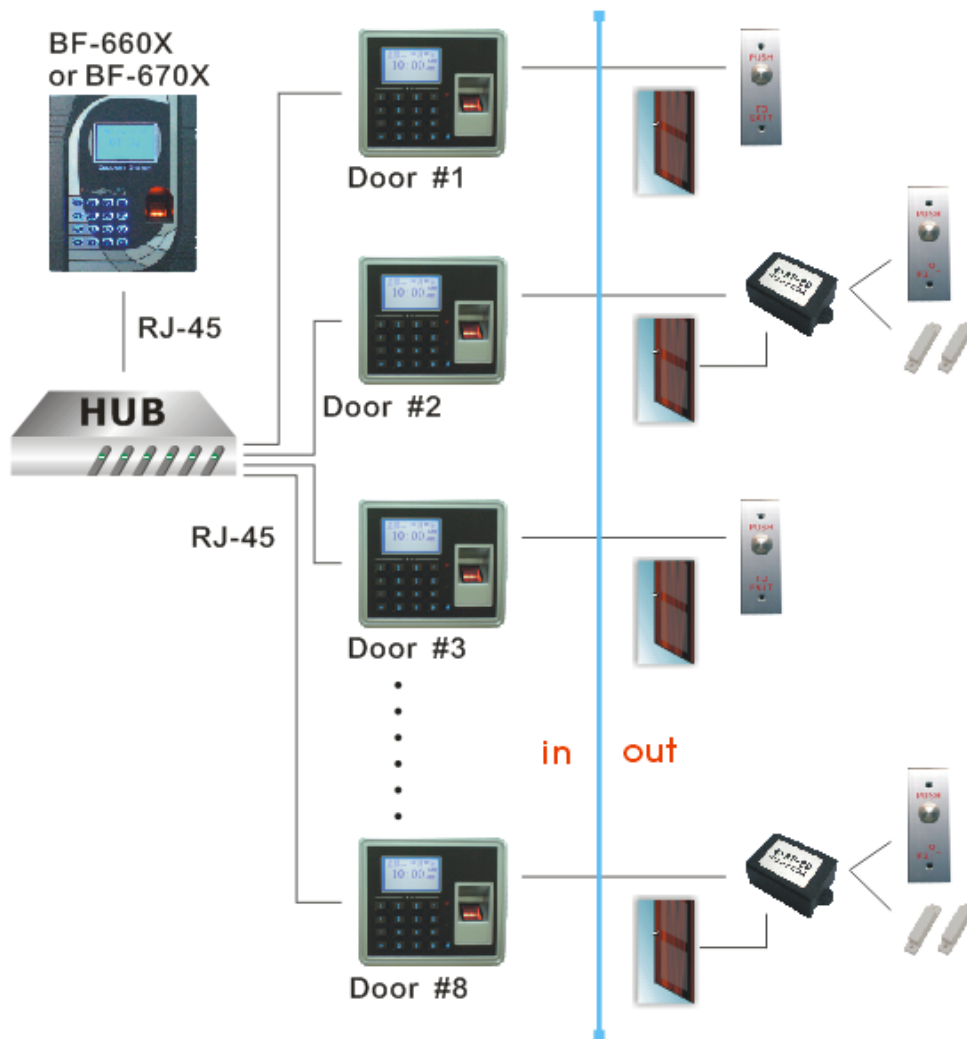
• Please do these when BF-660X/BF-670X has out of function.

- Power off and power on again, so initialize BF-630. After initializing BF-630, if it has same status still, please calls on Our's service center.

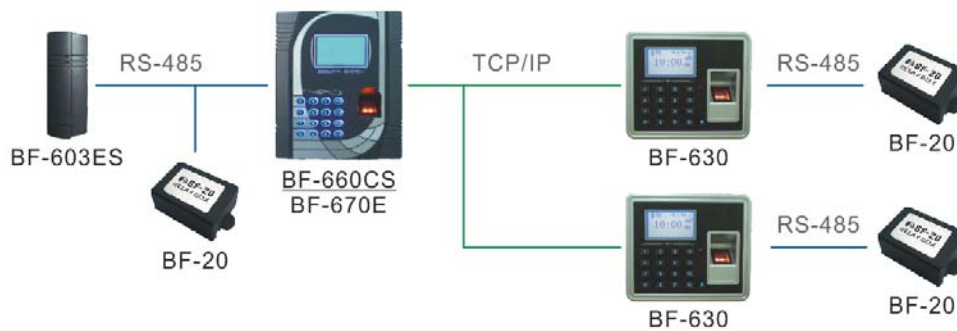
7.2. External connector



7.3. Connection example

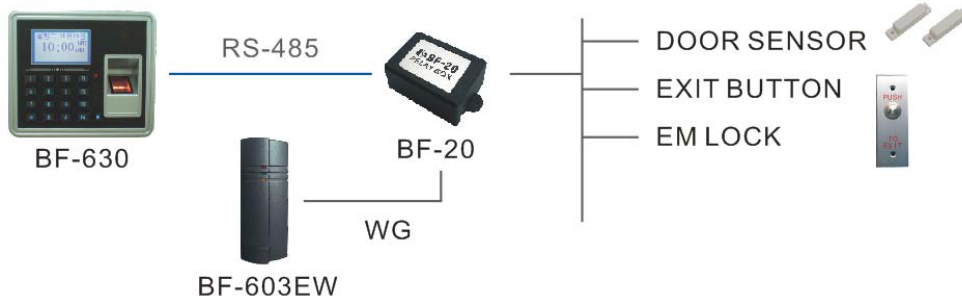


- To Be a FP Reader

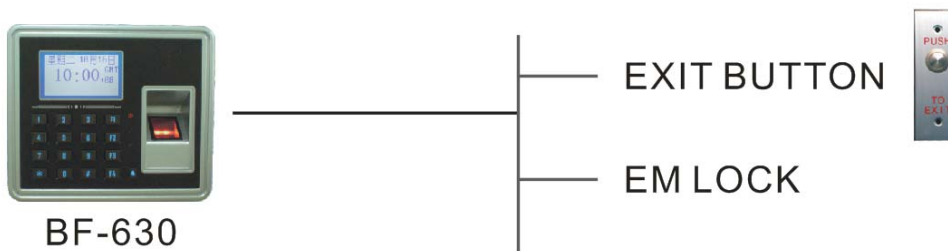


● **To Be a Standalone Unit**

When needs external WG Reader for OUT, then BF20 is needed

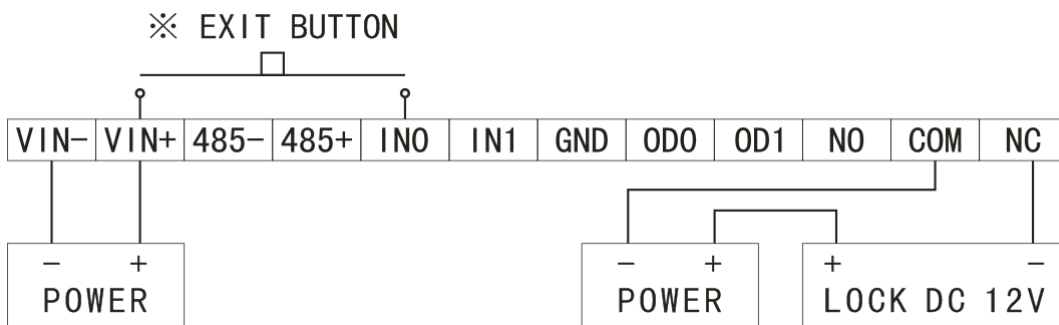


When using Exit Button for OUT and no need door sensor

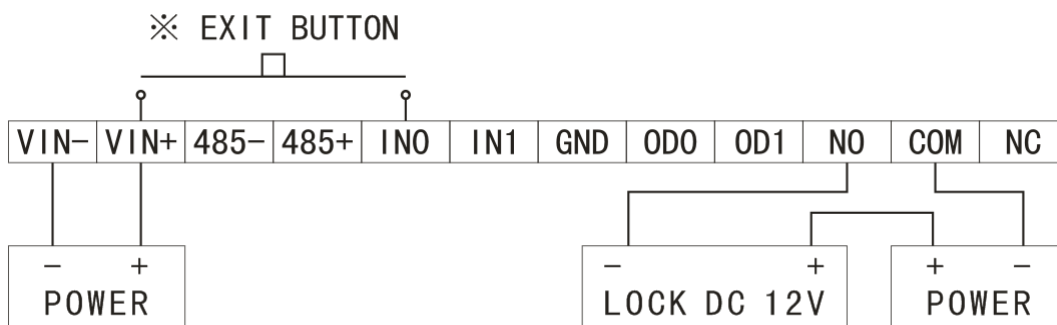


● **Electronic Lock Control**

Lock open when lock is power off



Lock open when lock is power on



● Fire Alarm & Exit Bu

